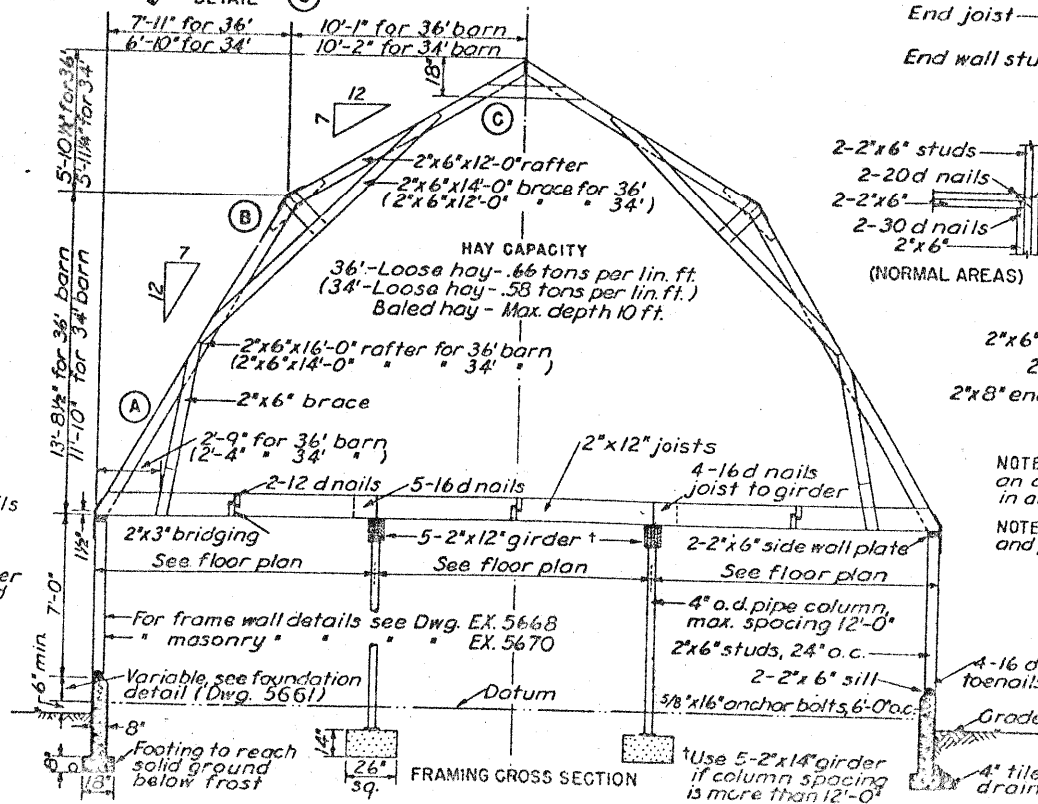
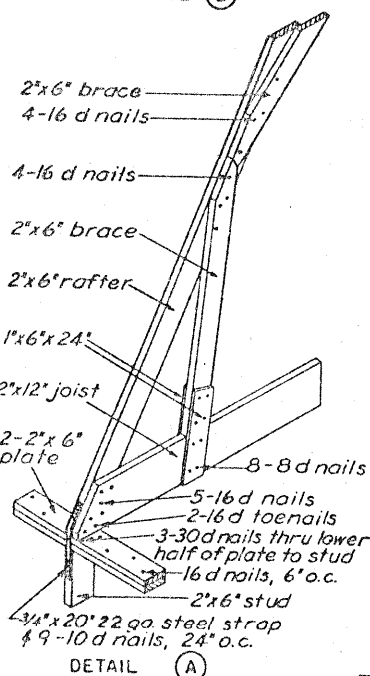


NOTE: All details and nailing marked with an asterisk (*) are recommended for use in areas subject to hurricanes.
NOTE: In hurricane areas, 2"x8" sills, studs and plates shall be used for end wall framing.



Note:

This archival plan is provided as a study plan only and may not be suitable for construction without modification, and may not be appropriate for all locales. Code officials and other authorities should always be consulted before any construction is attempted.

COOPERATIVE EXTENSION WORK IN AGRICULTURE AND HOME ECONOMICS			
AND UNITED STATES DEPARTMENT OF AGRICULTURE COOPERATING			
1 1/2 STORY BRACED RAFTER BARN FRAMING			
34 FOOT BY 36 FOOT WIDTH			
USDA	48	EX 5680	SHEET 1 OF 1