

PERSPECTIVE

BILL OF MATERIALS FOR CRATE AND EXIT GATE ONLY

LUMBER

QUANTITY	SIZE	USE
1	2" x 4" x 10'-0"	BASE
1	2" x 4" x 8'-0"	BASE
1	2" x 4" x 12'-0"	POST
2	2" x 4" x 10'-0"	POST
1	2" x 4" x 6'-0"	TIES
1	1" x 12" x 16'-0"	SIDES & GATE
2	1" x 12" x 10'-0"	FLOOR
1	1" x 6" x 10'-0"	FLOOR
2	1" x 4" x 14'-0"	SLATS (VERT.)
6	1" x 4" x 12'-0"	SLATS (HORZ.)
1	1" x 4" x 12'-0"	GATE BATTENS
1	1" x 2" x 14'-0"	CLEATS
2	1" x 2" x 10'-0"	CLEATS
2	2" x 6" x 10'-0"	FOOTBOARDS

MISCELLANEOUS

24	3/8" x 3 1/2"	BOLTS, NUTS, ETC.
48	3/8" x 2 1/2"	BOLTS, NUTS, ETC.
6	ANGLES 1/4" x 3 1/2" - 9 1/2"	LEGS
6	BRACES 1/4" x 3 1/2" - 14"	BENT ENDS
4	ANGLES 1/4" x 2 1/2" - 8"	LEGS
1	PAIR 8" T HINGES	
1	HASP AND STAPLE	
3	LBS. 6d COMMON NAILS	

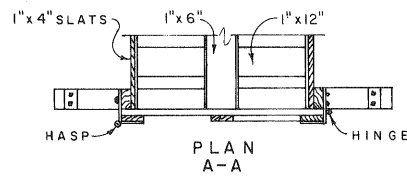
USE OF BREEDING CRATE

SUPPORT BOAR ON TWO 2"x6" FOOTBOARDS WITH FRONT ENDS RESTING ON CLEATED GATE AND REAR ENDS ON CLEATED FLOOR. ADJUST HEIGHT TO SUIT; THEN INSERT A 2"x4" BAR THRU SLATS AND UNDER 2"x6" FOOTBOARDS.

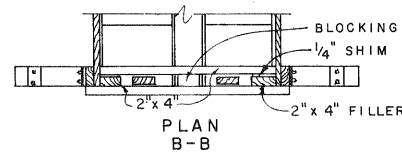
CAUTION SHOULD BE USED TO PREVENT CRACKING ANIMALS JAW WITH HEADGATE.

NOTE:

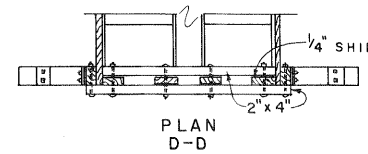
- USE CARRIAGE BOLTS WHEREVER PRACTICABLE. ROUNDED HEAD SIDE TOWARDS ANIMAL TO PREVENT INJURY.
- ALL LUMBER IN CONTACT WITH EARTH SHOULD BE PRESSURE TREATED WITH CREOSOTE OR SIMILAR PRESERVATIVE. ALL OTHER LUMBER TO BE PAINTED WITH WOOD PRESERVATIVE.
- ALL METAL TO BE GALVANIZED OR PAINTED WITH A METAL PRESERVATIVE.



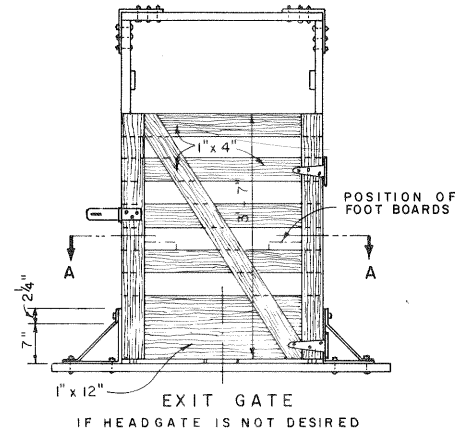
PLAN A-A



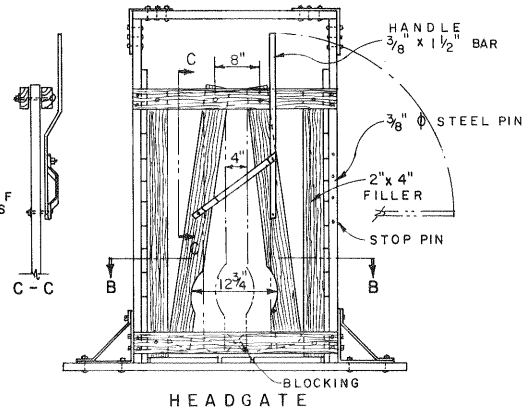
PLAN B-B



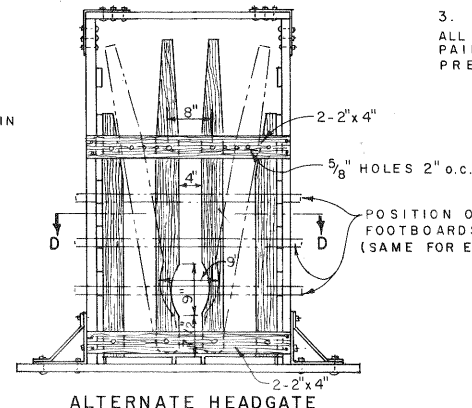
PLAN D-D



EXIT GATE IF HEADGATE IS NOT DESIRED



HEADGATE



ALTERNATE HEADGATE

GATE DETAILS

SCALE 0 1 2 FT.

COOPERATIVE EXTENSION WORK IN AGRICULTURE AND HOME ECONOMICS
 DEPARTMENT OF AGRICULTURAL ENGINEERING
 Univ. of Connecticut
 UNITED STATES DEPARTMENT OF AGRICULTURE COOPERATING

BREEDING CRATE FOR HOGS

JSDA	EX. 5783	SHEET 1 OF 1
------	----------	--------------

Note:

This archival plan is provided as a study plan only and may not be suitable for construction without modification, and may not be appropriate for all locales. Code officials and other authorities should always be consulted before any construction is attempted.