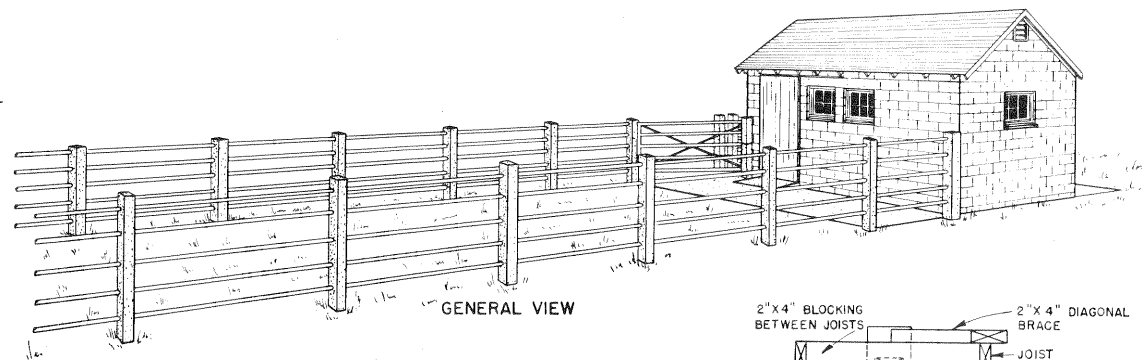
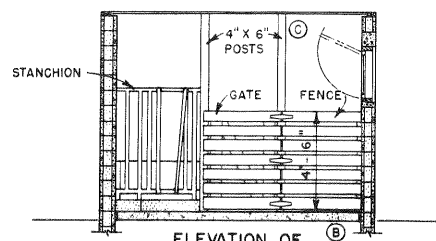


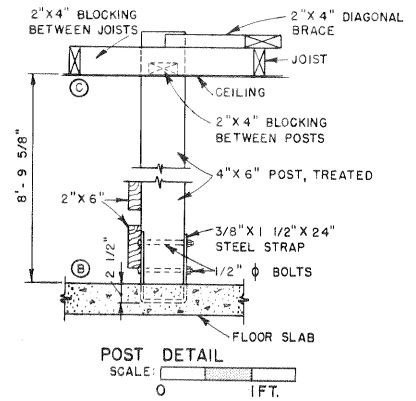
SECTION A-A
SCALE: 0 1 2 3 4 FT.



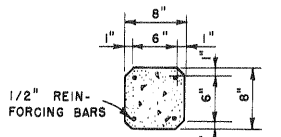
GENERAL VIEW



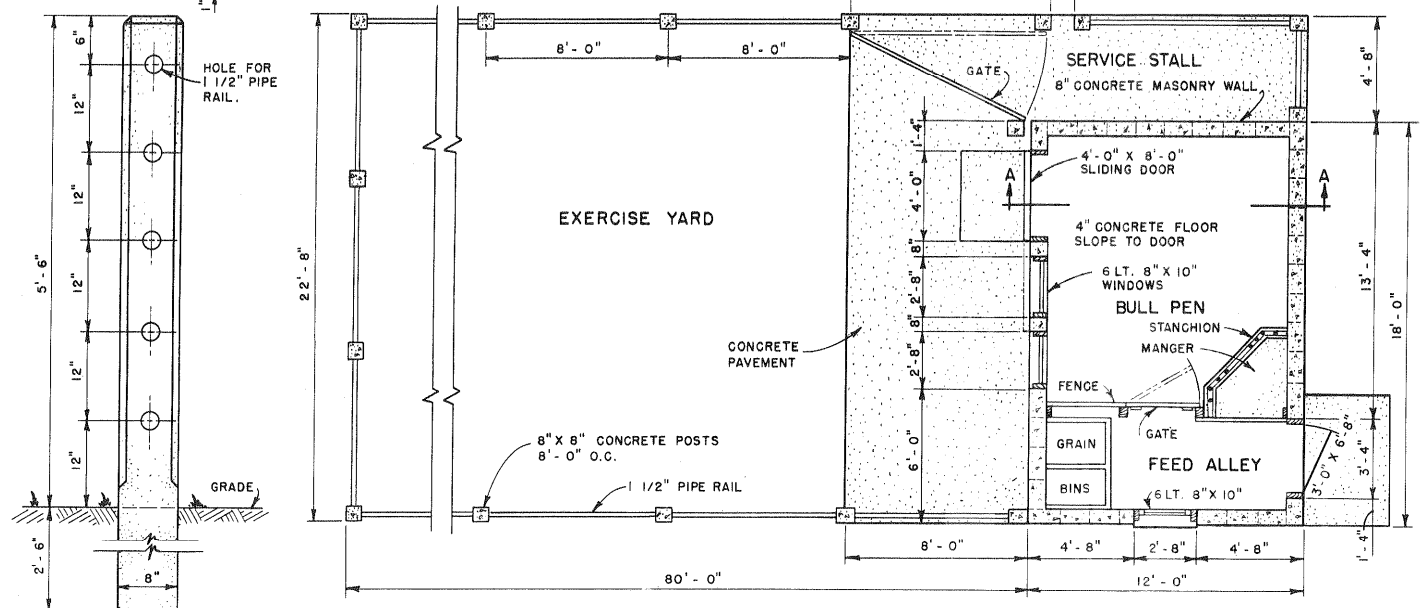
ELEVATION OF STANCHION & GATE
SCALE: 0 2 4 6 FT.



POST DETAIL
SCALE: 0 1 FT.



DETAIL OF CONCRETE POSTS
SCALE: 0 1 2 3 4 FT.



PLAN
SCALE: 0 2 4 6 FT.

- NOTE**
1. ALL LINTELS TO BE REINFORCED WITH TWO 1/2" Ø RODS.
 2. USE BRUSH FINISH ON PAVEMENT AND PEN FLOOR.

COOPERATIVE EXTENSION WORK IN
 AGRICULTURE AND HOME ECONOMICS
 DEPARTMENT OF AGRICULTURAL ENGINEERING
 UNIVERSITY OF MARYLAND
 AND
 UNITED STATES DEPARTMENT OF AGRICULTURE COOPERATING

BULL PEN & PADDOCK
 MASONRY CONSTRUCTION

EX-57001-1-1 OF 1

This archival plan is provided as a study plan only and may not be suitable for construction without modification, and may not be applicable to all locales. Code officials and other authorities should always be consulted before any construction is attempted.