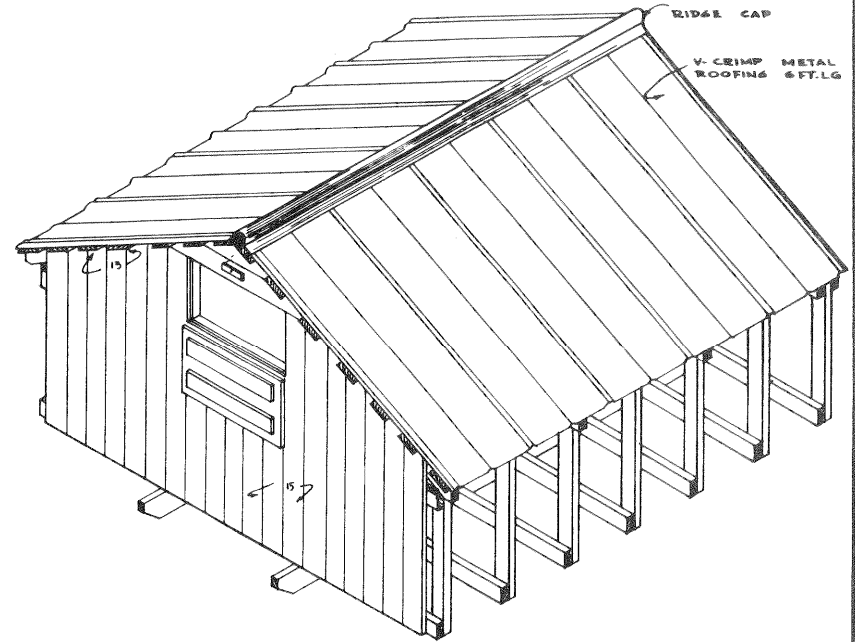
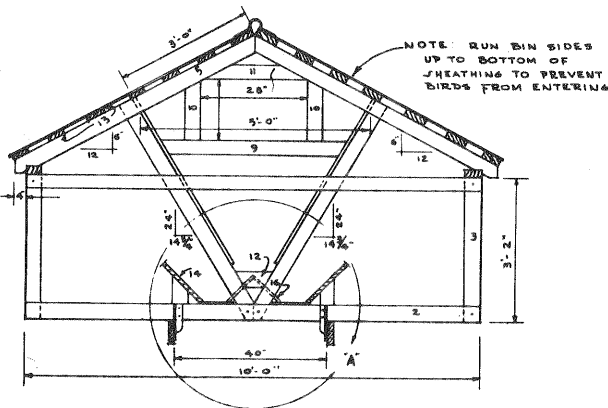


DETAIL OF FRAMING

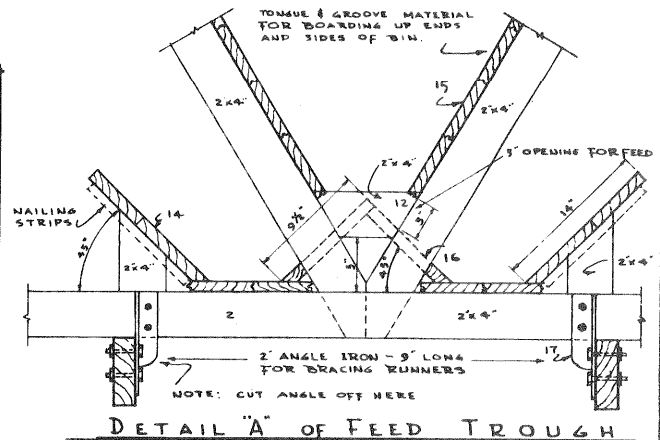


COMPLETE VIEW OF FEEDER



END VIEW SHOWING FRAMING

| BILL OF MATERIALS | | |
|-------------------|---|-------------------------------------|
| PART NO. | LUMBER & SIZE OF MATERIAL | STANDARD STOCK TO CUT MATERIAL FROM |
| 1 | 2 PCS. - 2"x6"x10'-0" | 2 - 2"x6"x10'-0" |
| 2 | 9 PCS. - 2"x4"x10'-0" | 9 - 2"x4"x10'-0" |
| 3 | 14 PCS. - 2"x4"x3'-2" | 5 - 2"x4"x10'-0" |
| 4 | 2 PCS. - 2"x4"x8'-10" | 2 - 2"x4"x10'-0" |
| 5 | 8 PCS. - 2"x4"x6'-0" | 4 - 2"x4"x12'-0" |
| 6 | 8 PCS. - 2"x4"x5'-8" | 4 - 2"x4"x12'-0" |
| 7 | 4 PCS. - 2"x4"x3'-6" | 2 - 2"x4"x8'-0" |
| 8 | 4 PCS. - 2"x4"x1'-0" | USE 7CS. REMAINING FROM CUT NO. 7 |
| 9 | 2 PCS. - 2"x4"x4'-0" | 1 - 2"x4"x8'-0" |
| 10 | 4 PCS. - 2"x4"x1'-4" | 1 - 2"x4"x10'-0" |
| 11 | 2 PCS. - 2"x4"x2'-4" | USE 7CS. REMAINING FROM CUT NO. 10 |
| 12 | 6 PCS. - 2"x4"x1'-0" | USE 7CS. REMAINING FROM CUT NO. 3&4 |
| 13 | 14 PCS. - 1"x4"x12'-0" | 14 - 1"x4"x12'-0" |
| 14 | 2 PCS. - 1"x8"x10'-0" | 2 - 1"x8"x10'-0" |
| 15 | 2 PCS. - 1"x6"x10'-0" | 2 - 1"x6"x10'-0" |
| 15 | 250 SPT. 1/2", T. & G. | |
| | 10# S D NAILS | |
| | 16 1/2" CARRIAGE BOLTS 2 1/2" LONG | |
| | 5# 10 D COMMON NAILS | |
| 16 | 2 PCS. - 1"x10"x10'-0" | 2 PCS. - 1"x10"x10'-0" |
| 17 | 2 1/2" ANGLE IRON - 9' LONG FOR BRACING RUNNERS | |
| | 26 1/2" CARRIAGE BOLTS 4 1/2" LONG | |
| | 26 1/8" FLAT WASHERS | |



THIS PLAN DEVELOPED BY THE FARM SHOP SECTION OF THE AG. ENG. AND AG. ED. DEPT., U.M.

CAPACITY:
APPROX. 50 BU.

COOPERATIVE EXTENSION WORK IN AGRICULTURE AND HOME ECONOMICS
DEPARTMENT OF AGRICULTURAL ENGINEERING
UNIVERSITY OF MARYLAND
AND
UNITED STATES DEPARTMENT OF AGRICULTURE COOPERATING

CALF CREEP FEEDER

VA. '52 EX. 5768 SHEET 1 OF 1

Note:

This archival plan is provided as a study plan only and may not be suitable for construction without modification, and may not be appropriate for all locales. Code officials and other authorities should always be consulted before any construction is attempted.