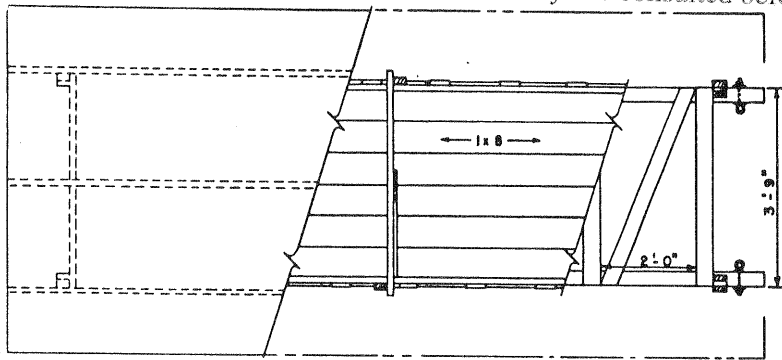
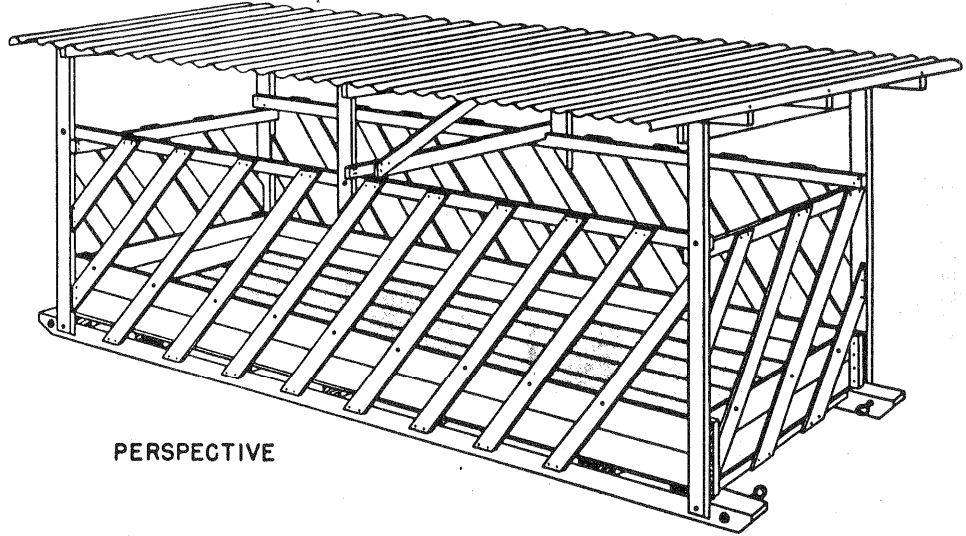


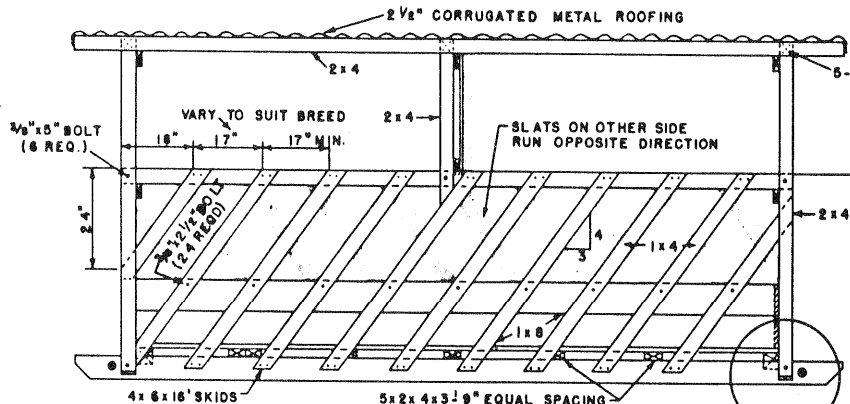
This archival plan is provided as a **study plan** only and may not be suitable for construction without modification, and may not be appropriate for all locales. Code officials and other authorities should always be consulted before any construction is attempted.



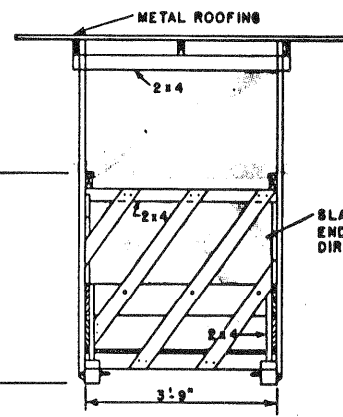
ROOF  
FLOOR  
FRAME  
PLAN



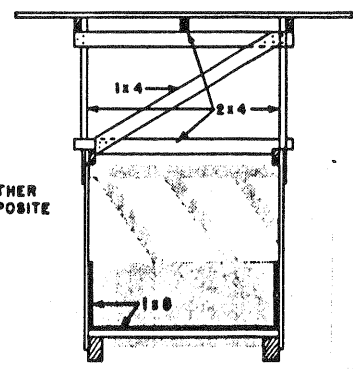
PERSPECTIVE



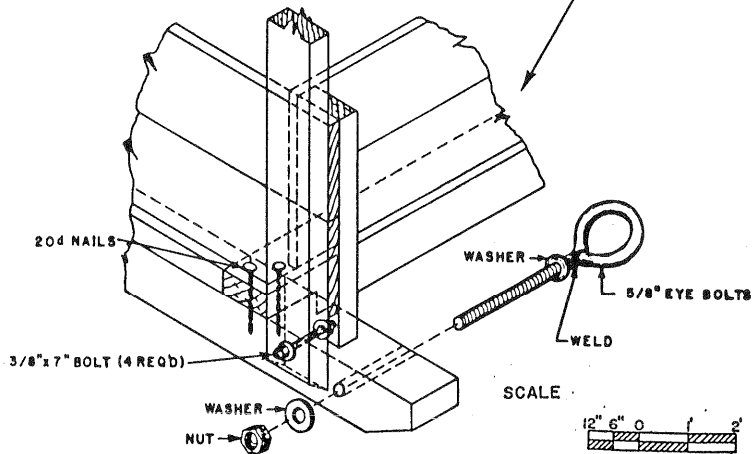
SIDE VIEW



END VIEW



CROSS SECTION



NOTES:  
ALL LUMBER IN CONTACT WITH OR WITHIN 12" OF GROUND SHOULD BE PRESSURE TREATED.

SOME PRESSURE TREATED POSTS & LUMBER USE PRESERVATIVES THAT EPA DOES NOT ALLOW IN CONTACT WITH FEED. IN SUCH CASES, PLYWOOD OR PLASTIC SHOULD BE USED AS A LINER. CHECK SUPPLIER OR LABELS FOR GUIDANCE.

NAILS AND BOLTS SHOULD BE GALVANIZED

8d NAILS USED FOR SLATS SIDES AND FLOOR

**MATERIAL LIST:**

- 13- 1x4x10'- SLATS AND BRACES
- 1- 4x4x8'- SPREADERS
- 2- 4x6x16'- SKIDS
- 11- 1x8x14'- BUNK
- 4- 2x4x16'
- 5- 2x4x14'
- 3- 2x4x8'

**HARDWARE:**

- 8- SHEETS 2 1/2" CORRUGATED METAL - 7' LONG ROOFING NAILS
- 8d- 8Lb.
- 10d- 1Lb.
- 20d- 1Lb.
- 24- 3/8" 2 1/4" BOLTS.
- 4- 3/8" 7" BOLTS.
- 6- 3/8" 8" BOLTS.
- 4- EYE BOLTS 5/8"

COOPERATIVE EXTENSION WORK IN AGRICULTURE AND HOME ECONOMICS

AND UNITED STATES DEPARTMENT OF AGRICULTURE COOPERATING

**CATTLE FEEDING RACK**  
FOR HAY & SILAGE

USDA '81 EX. 5925 SHEET 1 OF 1

REVISED '88