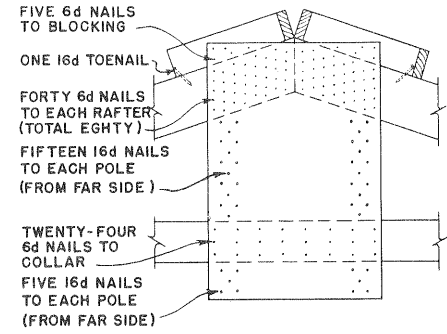


TWO RAFTER-UNITS ARE REQUIRED FOR EACH 14'-0" OF LENGTH. TWO UNITS ON EACH PAIR OF INSIDE POLES AND ONE UNIT ON THE INSIDE FACE OF THE END POLES.

NAIL PURLIN ANCHORS IN PLACE ON RAFTER UNIT-BEFORE ASSEMBLY.

RAFTER-UNIT ASSEMBLY DIAGRAM

SCALE: 0 1 2 3 4 FT.



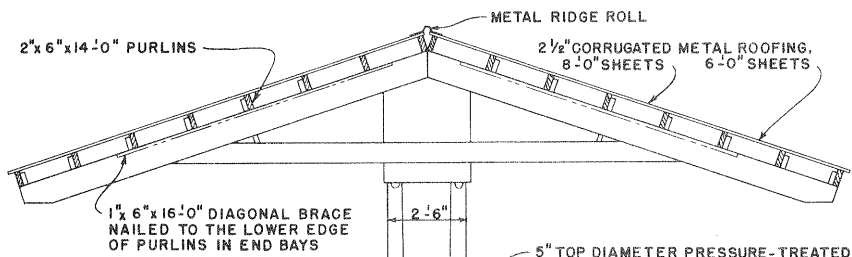
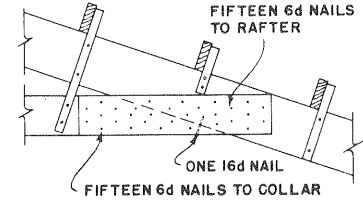
USE HOT-DIP GALVANIZED COMMON NAILS

NAILING DETAILS

SCALE: 0 1 2 FT.

FASTEN EACH END OF PURLINS WITH ONE 16d TOENAIL TO RAFTER AND TWO 12d NAILS TO PURLIN ANCHOR OR BLOCKING. (THIS NAILING NOT SHOWN)

NAIL EACH RAFTER AND COLLAR TO PURLIN ANCHORS WITH TWO 16d NAILS



5" TOP DIAMETER PRESSURE-TREATED POLES 22'-0" LONG, SET IN PAIRS 14'-0" O.C. FOR INSIDE POLES AND 14'-0" TO THE OUTSIDE OF END POLES. TOPS OF POLES TO BE FLATTENED TO A NET THICKNESS OF 4"

MANGER SIDES ARE 2" x 12" x 14'-0", THE BOTTOM IS T&G STOCK 2 1/2" x 6" x 14'-0". ALL END JOINTS ARE AT POLES.

MANGER IS SUPPORTED AT POLES AND MIDWAY BETWEEN POLES

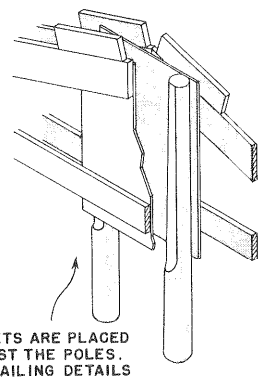
2 1/2" x 6" AT MIDPOINT AND 2" x 8" AT POLES TWO 2 1/2" x 6"

BOTH FOOTING AND BACKFILL ARE OF COMPACTED CRUSHED STONE

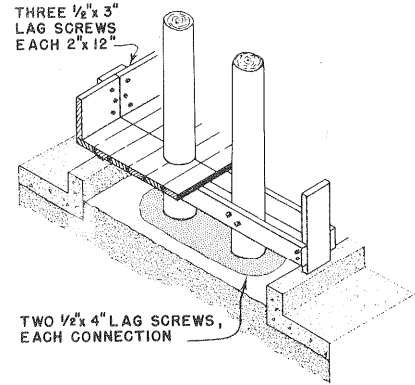
5" CONCRETE PLATFORM WITH BRUSHED FINISH SLOPE 3" IN 12'-0"

TYPICAL CROSS SECTION

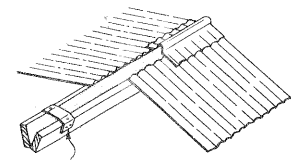
SCALE: 0 1 2 3 4 FT.



RAFTER-UNIT ERECTION



MANGER CONSTRUCTION



RIDGE PURLIN TIES

COOPERATIVE EXTENSION WORK IN AGRICULTURE AND HOME ECONOMICS
 DEPARTMENT OF AGRICULTURAL ENGINEERING
 UNIVERSITY OF MARYLAND
 AND
 UNITED STATES DEPARTMENT OF AGRICULTURE COOPERATING

CATTLE FEEDING SHELTER

ORE. '62 EX. 5939 SHEET 1 OF 1

Note: This archival plan is provided as a **study plan** only and may not be suitable for construction without modification, and may not be appropriate for all locales. Code officials and other authorities should always be consulted before any construction is attempted.