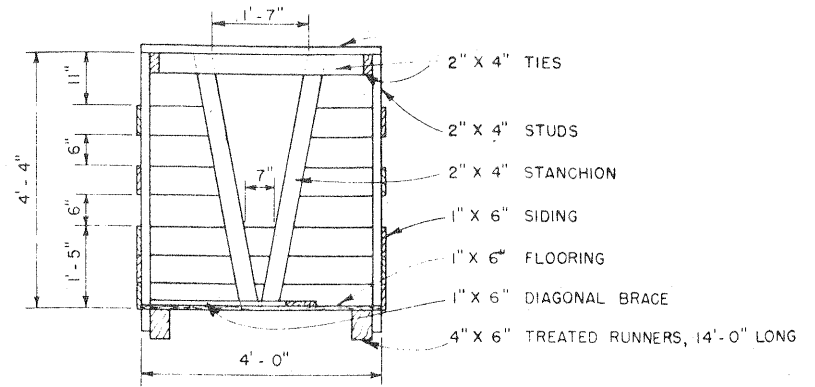
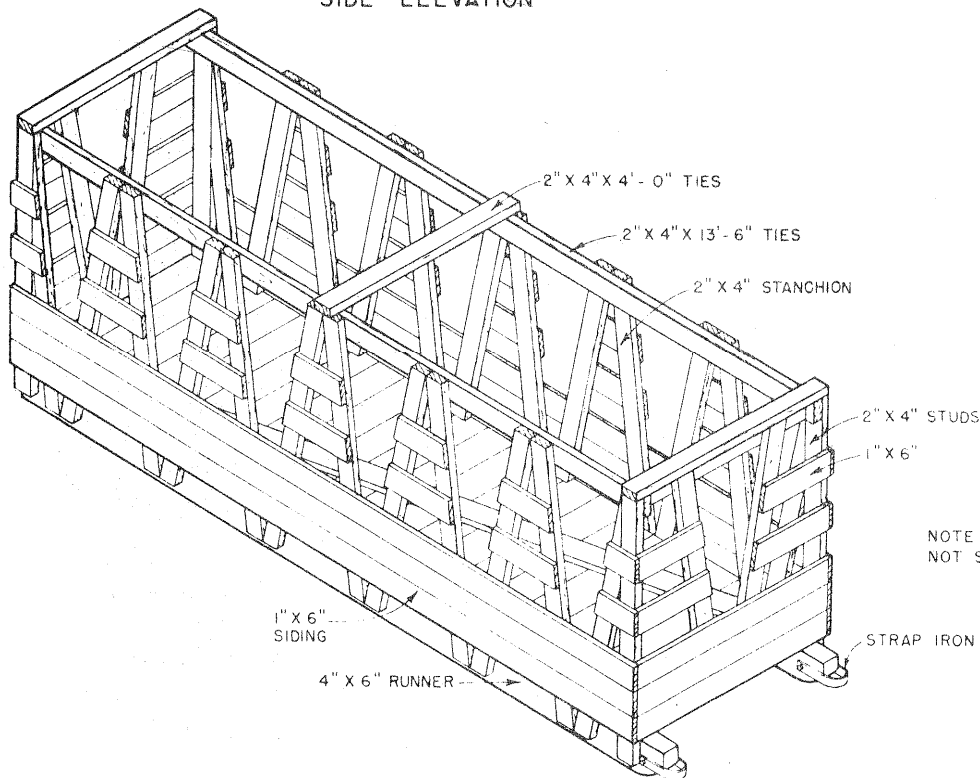


SIDE ELEVATION



SECTION



ISOMETRIC VIEW

BILL OF MATERIALS

2	PCS	4" X 6" X 14'-0"	RUNNERS
2	PCS	2" X 4" X 13'-6"	TIES
2	PCS	2" X 4" X 3'-5 1/2"	TIES
3	PCS	2" X 4" X 4'-0"	TOP CROSS TIES
4	PCS	2" X 4" X 4'-8 1/2"	CORNER STUDS
28	PCS	2" X 4" X 4'-10 1/2"	STANCHIONS
6	PCS	1" X 6" X 13'-7 1/2"	SIDING - SIDES
6	PCS	1" X 6" X 4'-0"	SIDING - ENDS
3	PCS	1" X 6" X 16'-0"	SIDING - BETWEEN STANCHIONS
29	PCS	1" X 6" X 4'-0"	FLOORING
1	PC	1" X 6" X 14'-0"	DIAGONAL BRACE
4	LB	16 d	NAILS
4	LB	8 d	NAILS
2	EA	6" X 5/8"	BOLTS
3	FT	1 1/2" X 3/8"	STRAP IRON

NOTE:
NOT SUITABLE FOR CATTLE WITH HORNS.

COOPERATIVE EXTENSION WORK IN
AGRICULTURE AND HOME ECONOMICS
DEPARTMENT OF AGRICULTURAL ENGINEERING
UNIVERSITY OF MARYLAND
AND
UNITED STATES DEPARTMENT OF AGRICULTURE - COOPERATING

CATTLE HAY RACK

TEX. 1951 EX 5772 SHEET 1 OF 1

Note:

This archival plan is provided as a **study plan** only and may not be suitable for construction without modification, and may not be appropriate for all locales. Code officials and other authorities should always be consulted before any construction is attempted.