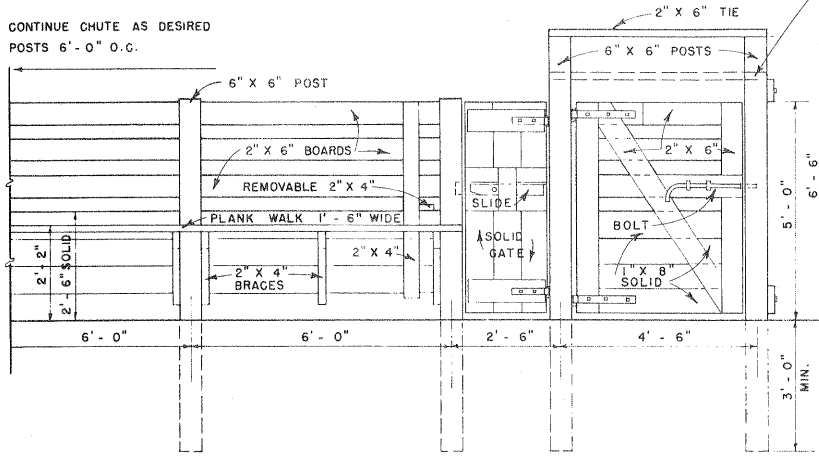
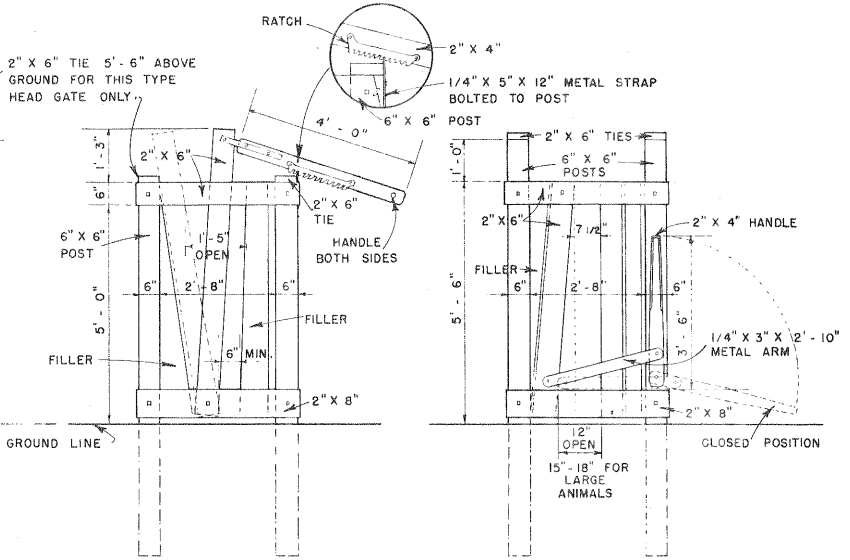


CONTINUE CHUTE AS DESIRED
POSTS 6'-0" O.C.



SIDE ELEVATION

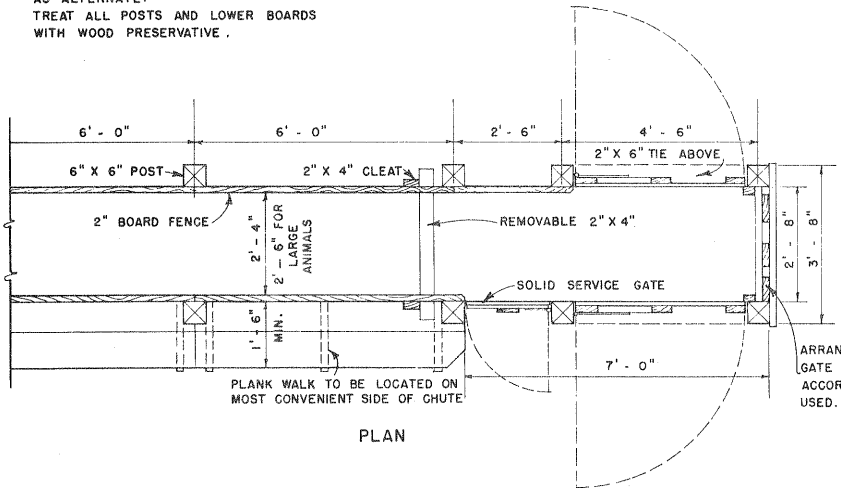


HEAD GATE ELEVATION

ALTERNATE HEAD GATE

NOTE

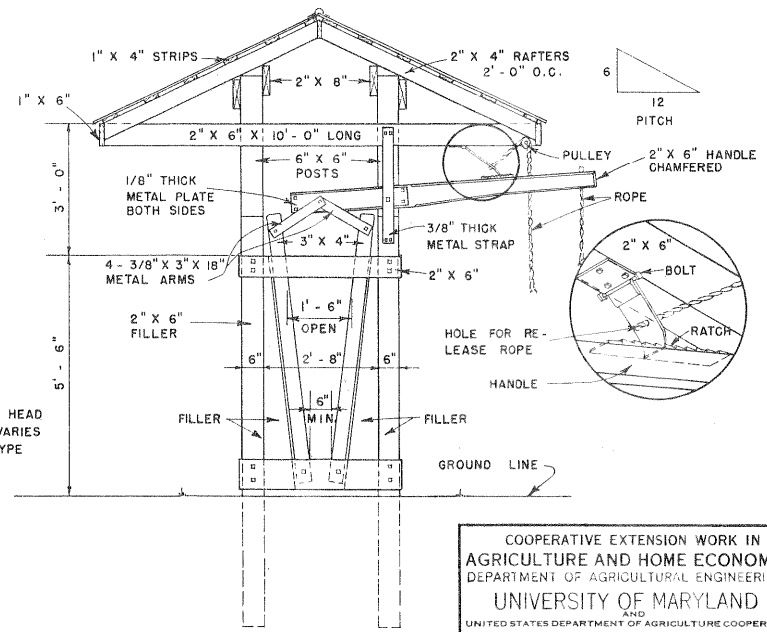
PRESSURE TREATED LUMBER IS PREFERRED.
AS ALTERNATE:
TREAT ALL POSTS AND LOWER BOARDS
WITH WOOD PRESERVATIVE.



PLAN

CATTLE HOLDING CHUTE & HEAD GATE

SCALE: 0 1 2 3 FT.



COVERED TYPE HEAD GATE

COOPERATIVE EXTENSION WORK IN
AGRICULTURE AND HOME ECONOMICS
DEPARTMENT OF AGRICULTURAL ENGINEERING
UNIVERSITY OF MARYLAND
AND
UNITED STATES DEPARTMENT OF AGRICULTURE COOPERATING

CATTLE HOLDING CHUTE
AND HEAD GATES

MD. '53 EX. 5778 SHEET 1 OF 1

Note:

This archival plan is provided as a **study plan** only and may not be suitable for construction without modification, and may not be appropriate for all locales. Code officials and other authorities should always be consulted before any construction is attempted.