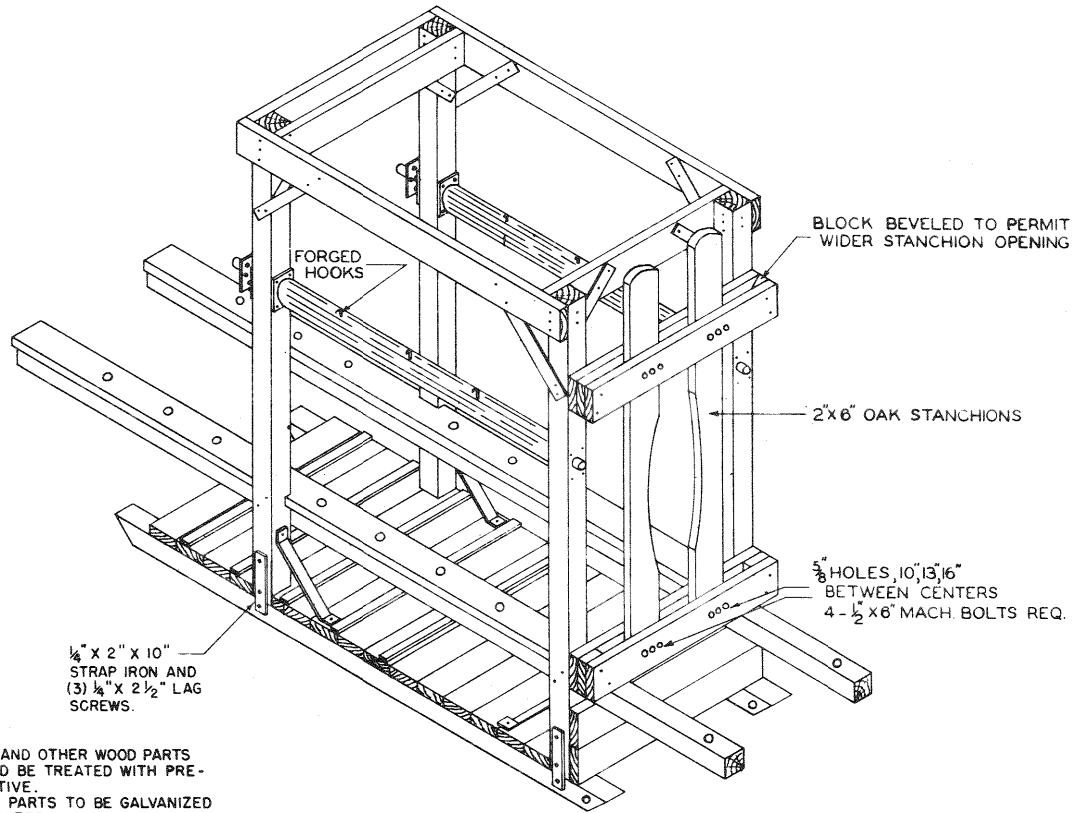


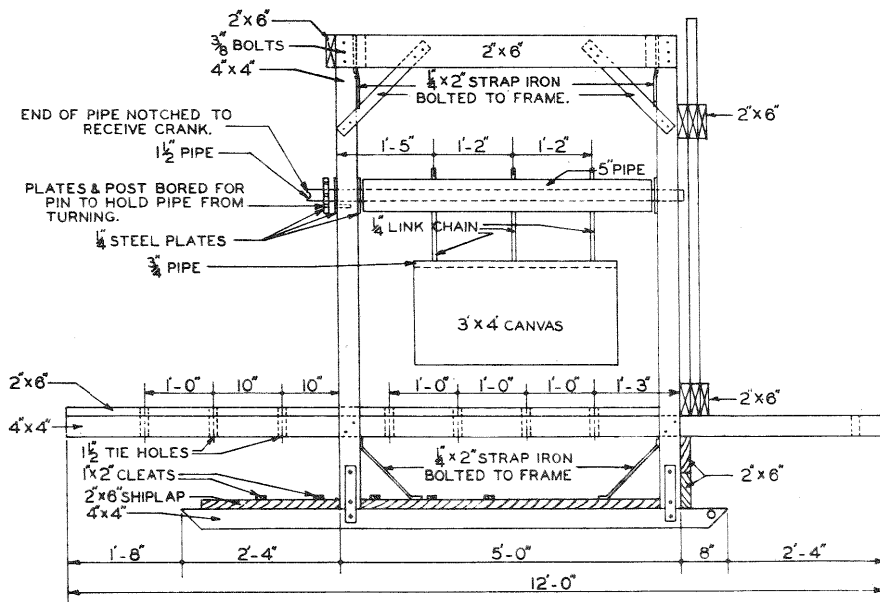
This archival plan is provided as a study plan only and may not be suitable for construction without modification, and may not be appropriate for all locales. Code officials and other authorities should always be consulted before any construction is attempted.

Note:

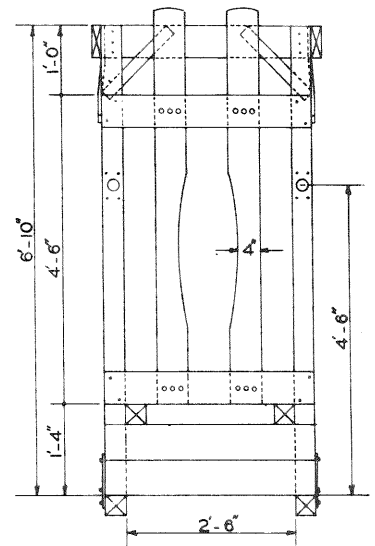


NOTE:  
 SKIDS AND OTHER WOOD PARTS SHOULD BE TREATED WITH PRESERVATIVE.  
 METAL PARTS TO BE GALVANIZED OR PAINTED.

ISOMETRIC VIEW

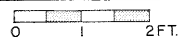


SIDE ELEVATION



FRONT ELEVATION

— CATTLE STOCKS —



COOPERATIVE EXTENSION WORK IN  
 AGRICULTURE AND HOME ECONOMICS  
 DEPARTMENT OF AGRICULTURAL ENGINEERING  
 UNIVERSITY OF MARYLAND  
 AND  
 UNITED STATES DEPARTMENT OF AGRICULTURE COOPERATING

**CATTLE STOCKS**

TENN. '51	EX. 5761	SHEET 1 OF 1
-----------	----------	--------------