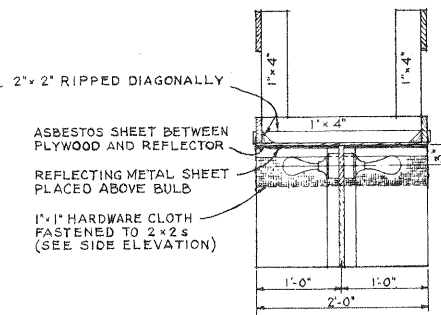
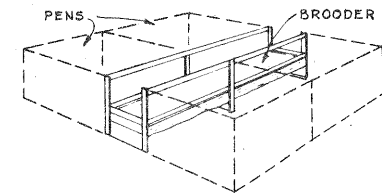


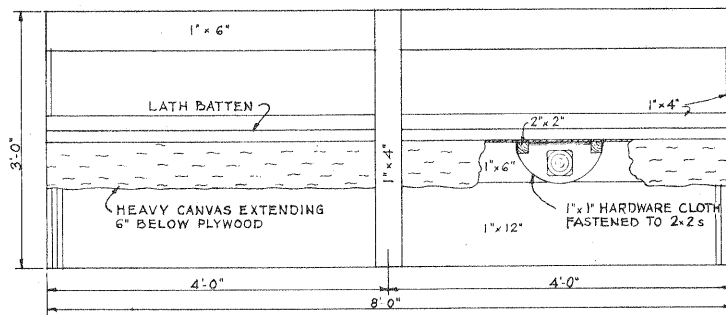
PLAN



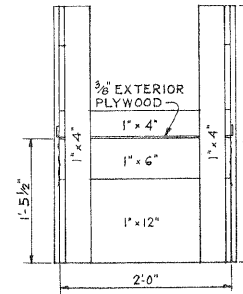
SECTION A-A



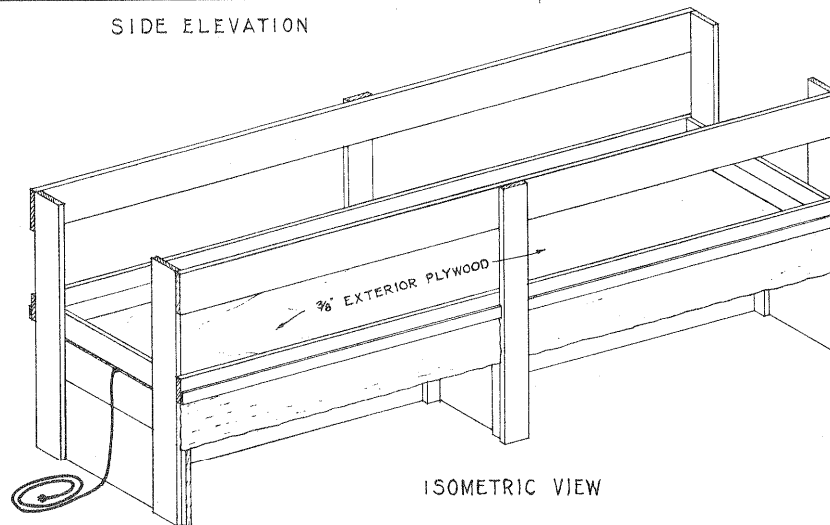
DIAGRAMMATIC LAYOUT OF BROODER AND PENS



SIDE ELEVATION



END ELEVATION



ISOMETRIC VIEW

BILL OF MATERIALS

- LUMBER:
- 1" x 2" x 12'-0" 1 PC.
 - 1" x 4" x 10'-0" 4 PCS.
 - 1" x 6" x 10'-0" 3 PCS.
 - 1" x 12" x 14'-0" 1 PC.
 - 2" x 2" x 8'-0" 1 PC.
 - 2" x 2" x 10'-0" 1 PC.
- MISCELLANEOUS:
- 2'-0" x 8'-0" x 3/8" 1 PC. EXTERIOR PLYWOOD
 - 1'-0" x 6'-0" 1 PC. 1" x 1" HARDWARE CLOTH
 - 1'-0" x 4'-0" 1 PC. REFLECTING METAL
 - 2'-8" x 4'-0" 1 PC. HEAVY CANVAS
 - NAILS AS REQUIRED
- ELECTRICAL:
- NON-METALLIC JUNCTION BOXES 4 EA.
 - PORCELAIN LIGHT RECEPTACLE (PULL CHAIN OPTIONAL) 4 EA.
 - LIGHT BULBS (SIZE VARIES WITH HEATING REQUIREMENTS) 4 EA.
 - NON-METALLIC SHEATHED CABLE NO. 14-2 10 FT.
 - RUBBER COATED EXTENSION CORD NO. 14-2 10 FT.
 - MALE PLUG 1 EA.

NOTE:
ATTACH FOUR 4"x4" LAMING PENS TO EACH OF THESE UNITS.
WHEN THE UNITS ARE PLACED END TO END, EACH BROODER MUST BE PLUGGED IN SEPARATELY TO AN ELECTRICAL SERVICE OUTLET WHICH IS PROPERLY WIRED TO CARRY THE LOAD.

SCALE: 1"=1'-0" UNLESS OTHERWISE NOTED.

COOPERATIVE EXTENSION WORK IN
AGRICULTURE AND HOME ECONOMICS
DEPARTMENT OF AGRICULTURAL ENGINEERING
UNIVERSITY OF MARYLAND
AND
UNITED STATES DEPARTMENT OF AGRICULTURE COOPERATING

COMBINATION
LAMB BROODER AND EWE FEEDER

ORE. '58 EX. 5863 SHEET 1 OF 1

Note:
This archival plan is provided as a **study plan** only and may not be suitable for construction without modification, and may not be appropriate for all locales. Code officials and other authorities should always be consulted before any construction is attempted.