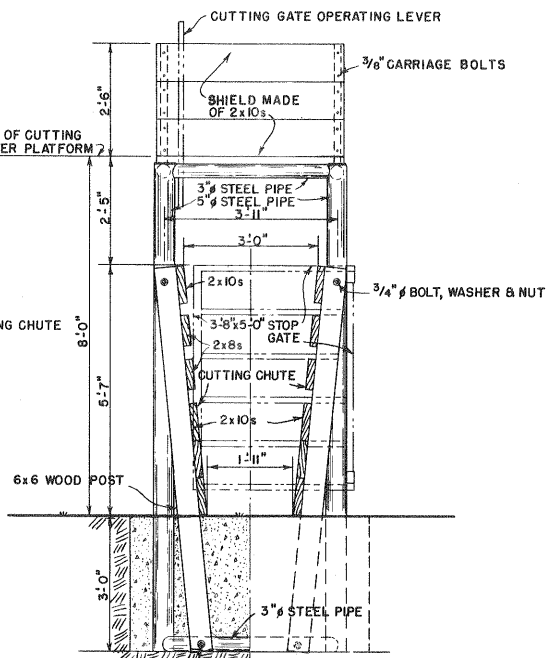
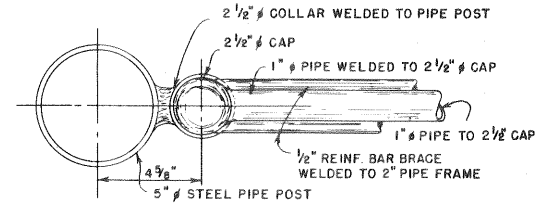


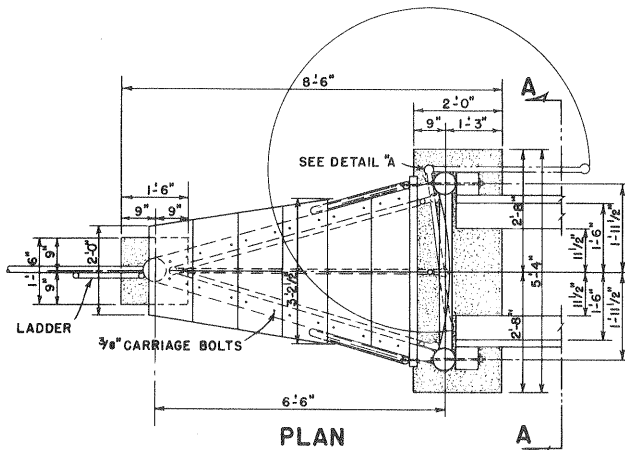
ELEVATION



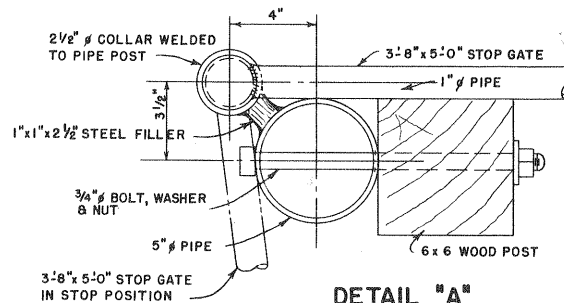
SECTION A-A



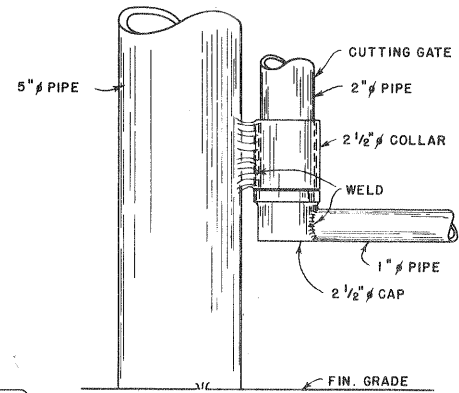
DETAIL "B"
SCALE: 0 2 4 6 IN.



PLAN



DETAIL "A"
SCALE: 0 2 4 6 IN.



DETAIL "C"
SCALE: 0 2 4 6 IN.
SCALE: 0 1 2 3 FT. UNLESS OTHERWISE NOTED.

COOPERATIVE EXTENSION WORK IN
AGRICULTURE AND HOME ECONOMICS
DEPARTMENT OF AGRICULTURAL ENGINEERING
UNIVERSITY OF MARYLAND
AND
UNITED STATES DEPARTMENT OF AGRICULTURE COOPERATING

CUTTING GATE,
TOWER AND CHUTE
USDA '63 EX. 5959 SHEET 1 OF 1

Note:

This archival plan is provided as a study plan only and may not be suitable for construction without modification, and may not be appropriate for all locales. Code officials and other authorities should always be consulted before any construction is attempted.