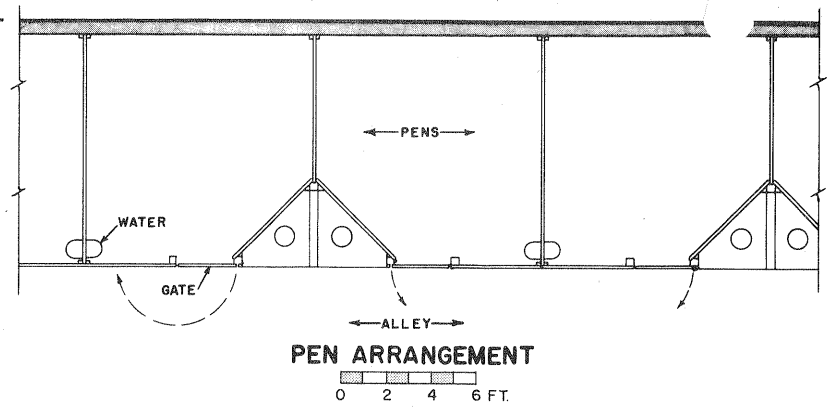
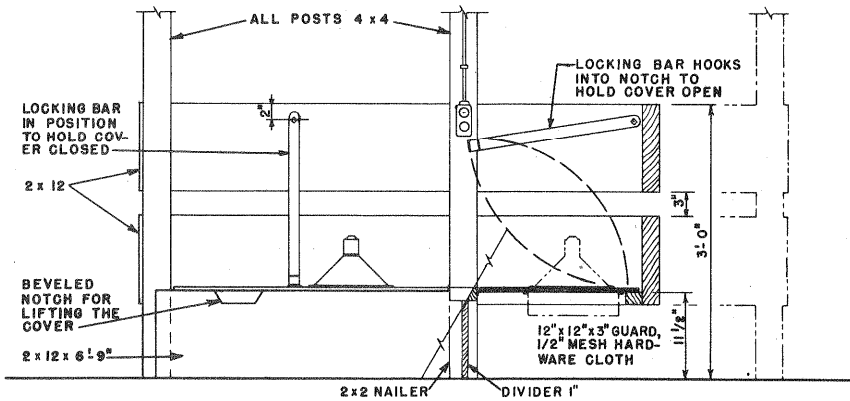
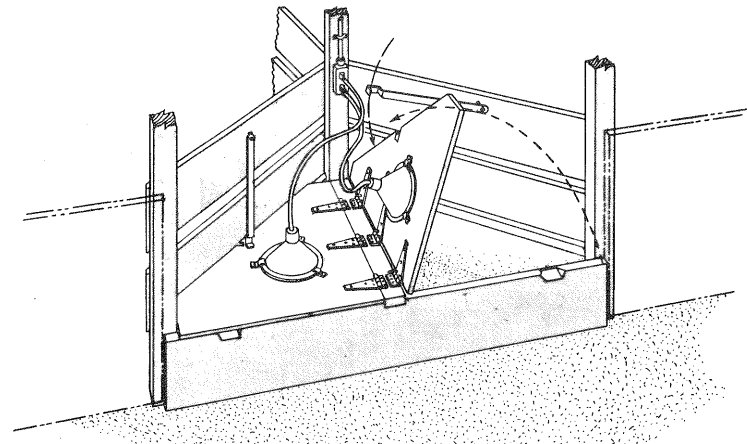


REFLECTOR, MOUNTED OVER HOLE ABOUT 1" SMALLER IN DIAMETER. FASTEN WITH CLIPS & TURNBUTON FOR EASE OF CHANGING LAMPS. RIM OF REFLECTOR MUST BE AT LEAST 10" FROM INSIDE CORNER OF HOVER

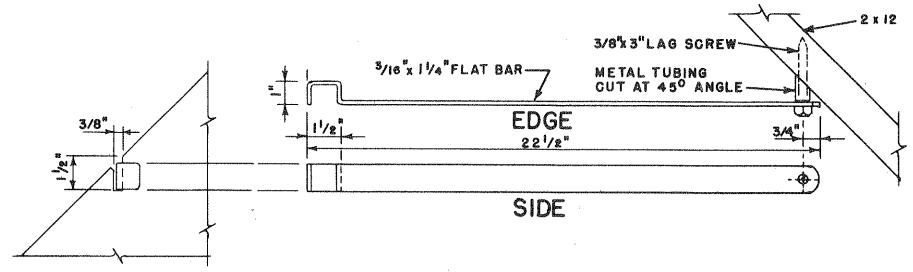
PLAN
DOUBLE UNIT FOR TWO PENS
0 1 FT.



PEN ARRANGEMENT
0 2 4 6 FT.



ELEVATION
CUT AWAY AT A-A TO SHOW CONSTRUCTION
0 1 FT.



SHOWING NOTCH IN COVER PANEL FOR LOCKING BAR
LOCKING BAR DETAILS
HOLDS COVER OPEN OR CLOSED

- GENERAL HOG HOUSE WIRING RECOMMENDATIONS**
1. USE No. 12 A.W.G. TYPE UF, NON-METALLIC SHEATHED CABLE WITH GROUND WIRE.
 2. DO NOT USE MORE THAN 16 LAMPS (8 DOUBLE UNIT BROODERS) PER 20 AMPERE CIRCUIT.
 3. USE ONLY GROUNDED TYPE DUPLEX CONVENIENCE OUTLETS.
 4. REFLECTORS MUST BE FITTED WITH PORCELAIN RECEPTAGLES WITHOUT SWITCHES WITH COVERED TERMINALS OR PIGTAILS CONNECTED TO OUTLET WITH NO. 16, TYPE HSJ RUBBER COVERED CORD.
 5. PERMANENT AND MOVABLE BUILDINGS MUST HAVE PROPERLY FUSED SERVICE ENTRANCE BOXES.
 6. THESE RECOMMENDATIONS ARE SUBORDINATE TO LOCAL REGULATIONS.

- RECOMMENDED INCANDESCENT LAMP SIZES**
- | | |
|------------------------|-----------------|
| MILD WEATHER..... | 60 WATT |
| COLD WEATHER..... | 100 WATT |
| VERY COLD WEATHER..... | 150 WATT (MAX.) |

CAUTION: DO NOT USE INFRARED LAMPS!

COOPERATIVE EXTENSION WORK IN
AGRICULTURE AND HOME ECONOMICS
DEPARTMENT OF AGRICULTURAL ENGINEERING
Univ. of Connecticut
UNITED STATES DEPARTMENT OF AGRICULTURE COOPERATING

ELECTRIC BROODER FOR PIGS
HOVER TYPE... FOR INCANDESCENT LAMPS

USDA '60 EX. 5907 SHEET 1 OF 1

Note:

This archival plan is provided as a study plan only and may not be suitable for construction without modification, and may not be appropriate for all locales. Code officials and other authorities should always be consulted before any construction is attempted.