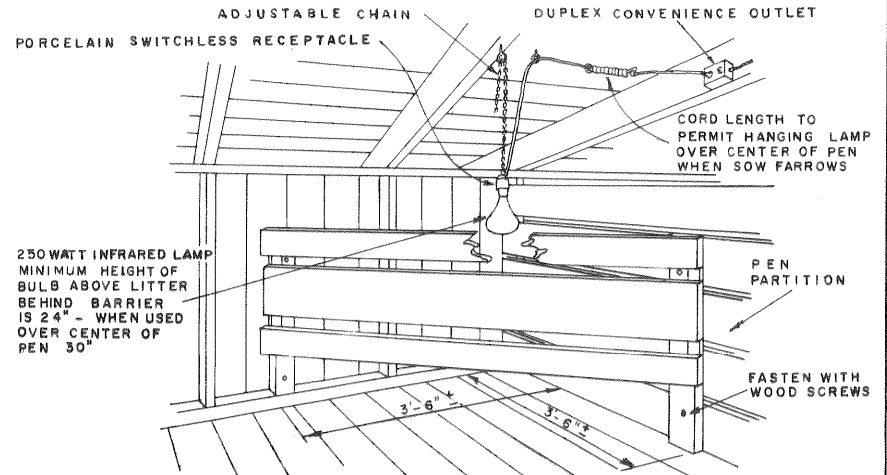
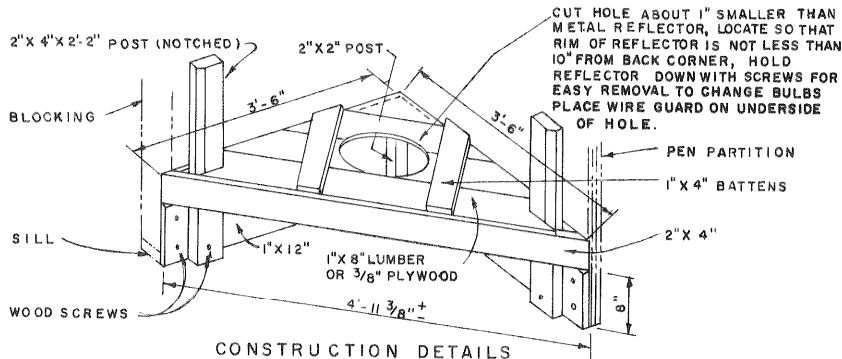


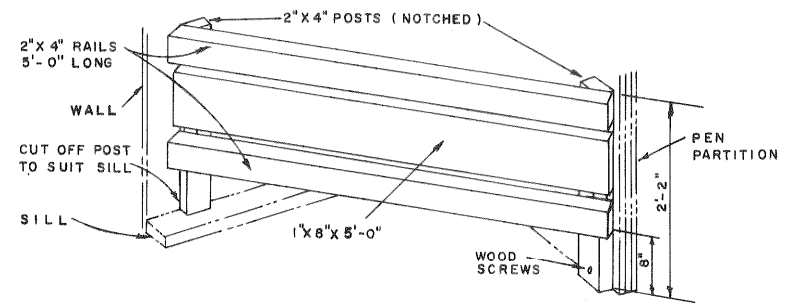
TYPICAL INSTALLATION



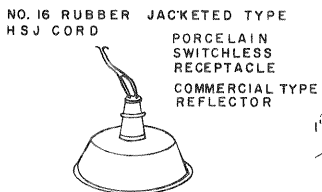
TYPICAL INSTALLATION



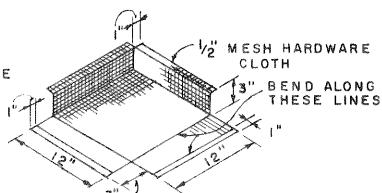
CONSTRUCTION DETAILS



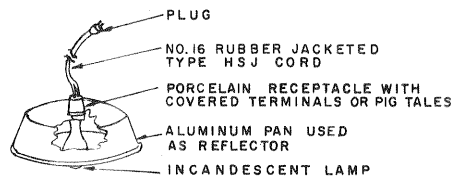
CONSTRUCTION DETAILS



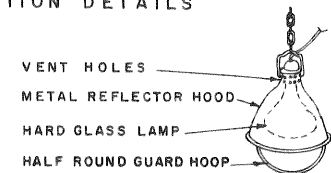
REFLECTOR (INCANDESCENT LAMP)



WIRE LAMP GUARD



LAMP ASSEMBLY (ALTERNATE)



REFLECTOR (ALTERNATE) (INFRARED LAMP)

RECOMMENDED INCANDESCENT LIGHT BULB SIZES

MILD WEATHER	60 WATTS
SEVERE WEATHER	100 WATTS
VERY SEVERE WEATHER	150 WATTS

DO NOT USE A LAMP (BULB) OF MORE THAN 150 WATTS

HOVER TYPE BROODER

GENERAL HOG HOUSE WIRING RECOMMENDATIONS

1. NUMBER 12 A.W.G. TYPE UF, NON-METALIC SHEATHED CABLE.
2. DO NOT USE MORE THAN SIX 250 WATT LAMPS OR TEN 150 WATT LAMPS PER 20 AMPERE CIRCUIT
3. PERMANENT AND MOVABLE BUILDINGS MUST HAVE PROPERLY FUSED SERVICE ENTRANCE BOXES
4. THESE RECOMMENDATIONS ARE SUBJECT TO LOCAL REGULATIONS

COOPERATIVE EXTENSION WORK IN AGRICULTURE AND HOME ECONOMICS
 DEPARTMENT OF AGRICULTURAL ENGINEERING
Univ. of Connecticut
 AND
 UNITED STATES DEPARTMENT OF AGRICULTURE COOPERATING

ELECTRIC PIG BROODERS

USDA '54	EX. 5788	SHEET 1 OF 1
----------	----------	--------------

Note:

This archival plan is provided as a **study plan** only and may not be suitable for construction without modification, and may not be appropriate for all locales. Code officials and other authorities should always be consulted before any construction is attempted.