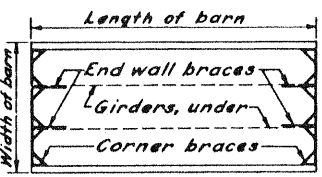
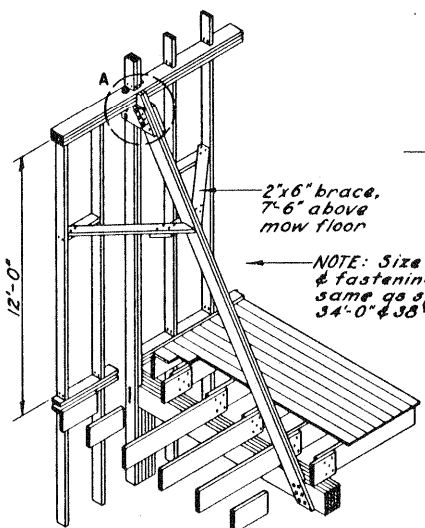


1/2 ELEVATION - WITH HAY DOOR      1/2 ELEVATION - WITHOUT HAY DOOR

TYPICAL END WALL FRAMING



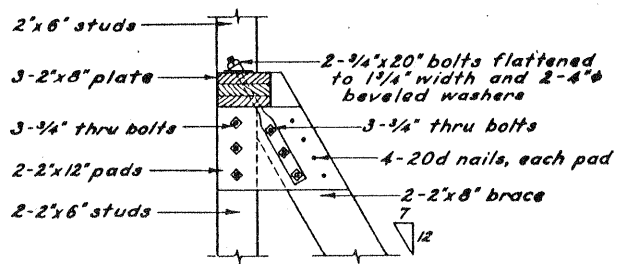
PLAN AT PLATE  
ARRANGEMENT DIAGRAM



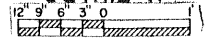
TYPICAL INSTALLATION  
(36'-0" WIDTH BARN)

END WALL BRACE  
(4 REQUIRED)

NOTE: Size of members, & fastening details are same as specified for 34'-0" & 38'-0" barns above.



DETAIL A



COOPERATIVE EXTENSION WORK IN AGRICULTURE AND HOME ECONOMICS		
AND UNITED STATES DEPARTMENT OF AGRICULTURE COOPERATING		
END WALL BRACES - GOTHIC BARN HURRICANE AREAS		
U S D A '49	EX. 5690	SHEET 1 OF 1

Note: This archival plan is provided as a study plan only and may not be suitable for construction without modification, and may not be appropriate for all locales. Code officials and other authorities should always be consulted before any construction is attempted.