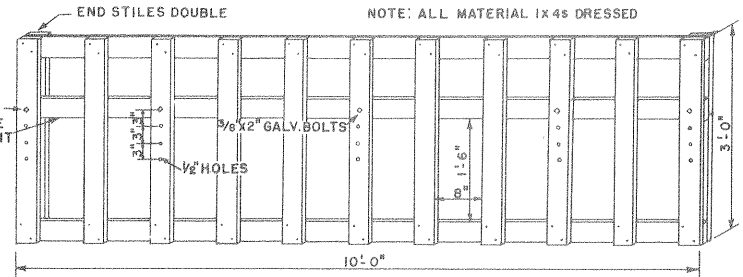
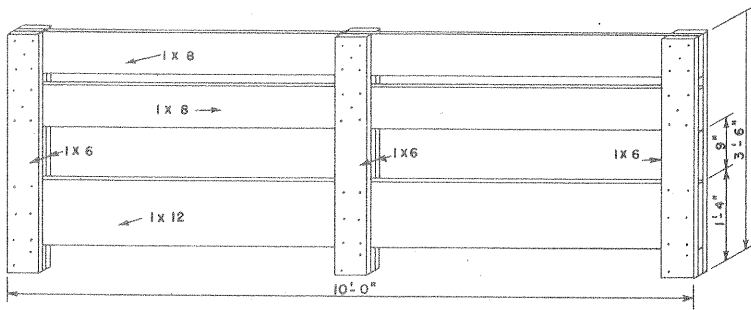


PANEL FOR LAMBS

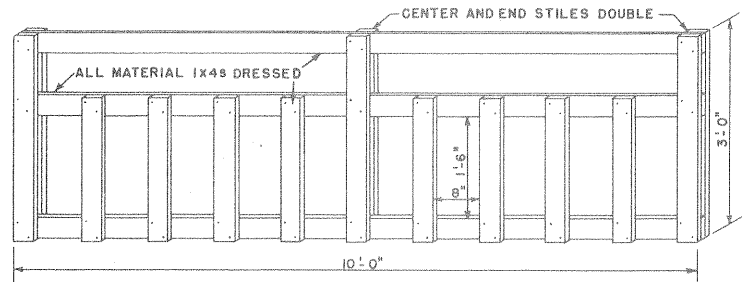
NOTE: MAY BE USED FOR FENCING A LOT AND AS A FEED RACK



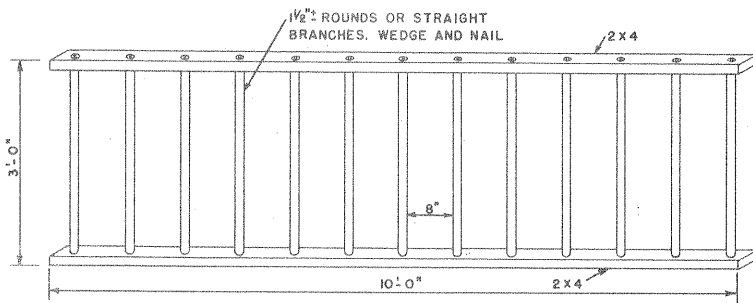
PANEL FOR CREEP FEEDING



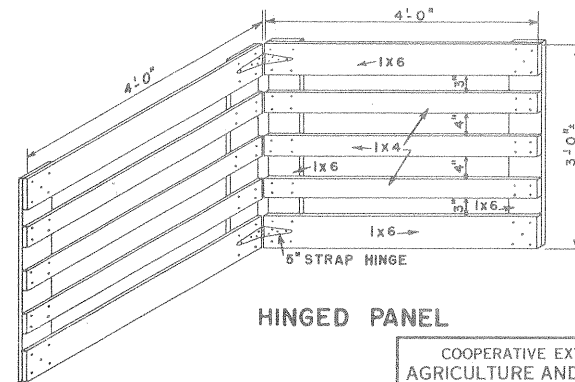
PANEL FOR EWES



PANEL FOR CREEP FEEDING



CREEP PANEL



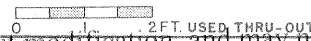
HINGED PANEL

NOTE: FOR TEMPORARY LAMBING OR CLAIMING PENS

COOPERATIVE EXTENSION WORK IN
 AGRICULTURE AND HOME ECONOMICS
 DEPARTMENT OF AGRICULTURAL ENGINEERING
 UNIVERSITY OF MARYLAND
 AND
 UNITED STATES DEPARTMENT OF AGRICULTURE COOPERATING

FENCING AND FEEDING PANELS
 FOR SHEEP

USDA '60	EX. 5917	SHEET 1 OF 1
----------	----------	--------------



Note: This archival plan is provided as a **study plan** only and may not be suitable for construction without modification, and may not be appropriate for all locales. Code officials and other authorities should always be consulted before any construction is attempted.