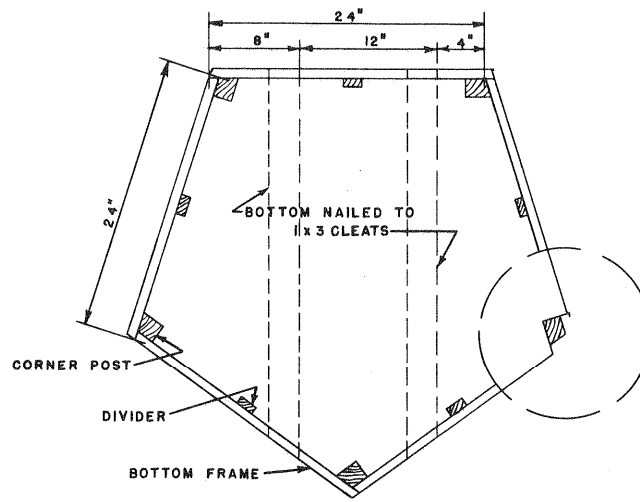
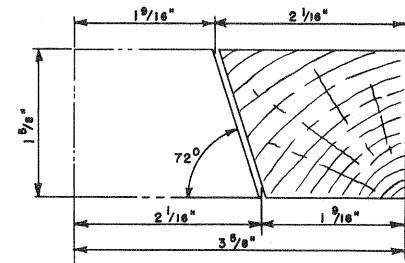


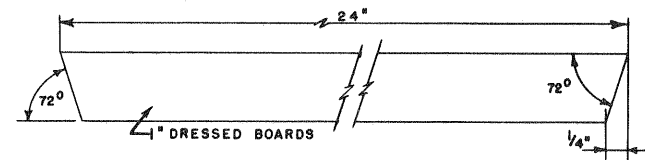
**BOTTOM PANEL**  
 1/4" TEMPERED HARDBOARD OR  
 3/8" EXTERIOR GRADE PLYWOOD



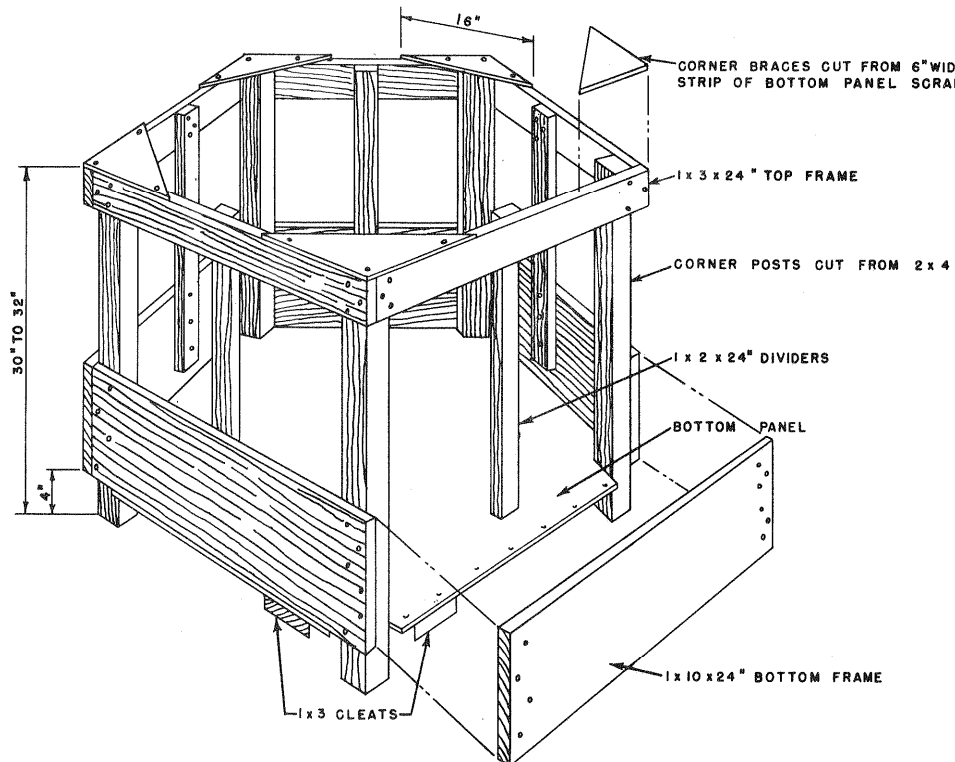
**PLAN VIEW**  
 TO SHOW ASSEMBLY



**CORNER POST DETAIL**  
 RIP FROM DRESSED 2 x 4  
 SCALE: FULL SIZE



**FRAME BOARD DETAIL**  
 SHOWING BEVEL END-CUT  
 SCALE: FULL SIZE



**LIST OF MATERIALS**

CORNER POSTS	ONE	2 x 4 x 8'-0"
BOTTOM FRAME	ONE	1 x 10 x 8'-0"
TOP FRAME AND		
BOTTOM CLEATS	ONE	1 x 3 x 14'-0"
DIVIDERS	ONE	1 x 2 x 10'-0"
BOTTOM PANEL AND		
CORNER BRACES	ONE	40" x 4 1/2"
NAILS (RING OR SCREW SHANK)		4d & 6d
BOX GALV.		1 1/2"

**NOTES:**  
 FOR SMALL EWES OR LAMBS  
 SUBSTITUTE 1x6 DIVIDERS  
 AND 1x8 BOTTOM FRAME  
 BOARDS.  
 TREAT WOOD PARTS WITH  
 COPPER NAPHTHANATE OR  
 PENTACHLOROPHENOL.

COOPERATIVE EXTENSION WORK IN  
 AGRICULTURE AND HOME ECONOMICS  
 DEPARTMENT OF AGRICULTURAL ENGINEERING  
 UNIVERSITY OF MARYLAND  
 AND  
 UNITED STATES DEPARTMENT OF AGRICULTURE COOPERATING

**HAY & GRAIN FEEDER**  
 FOR 10 SHEEP

USDA '60 EX. 5910 SHEET 1 OF 1

Note

This archival plan is provided as a **study plan** only and may not be suitable for construction without modification, and may not be appropriate for all locales. Code officials and other authorities should always be consulted before any construction is attempted.