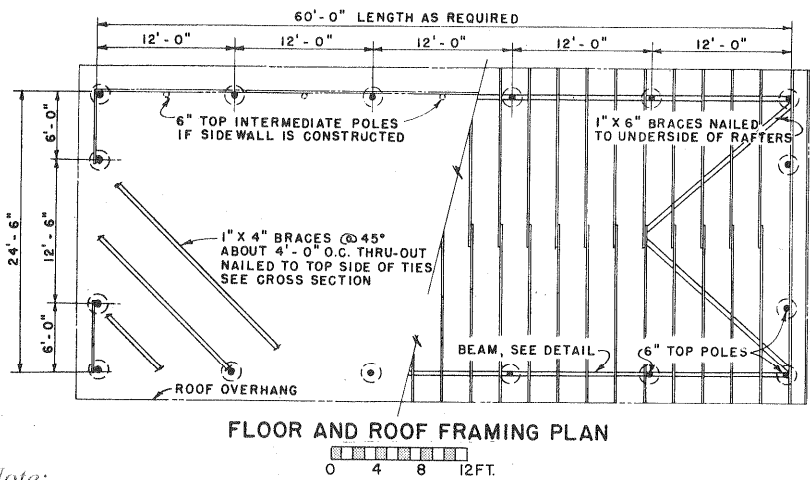
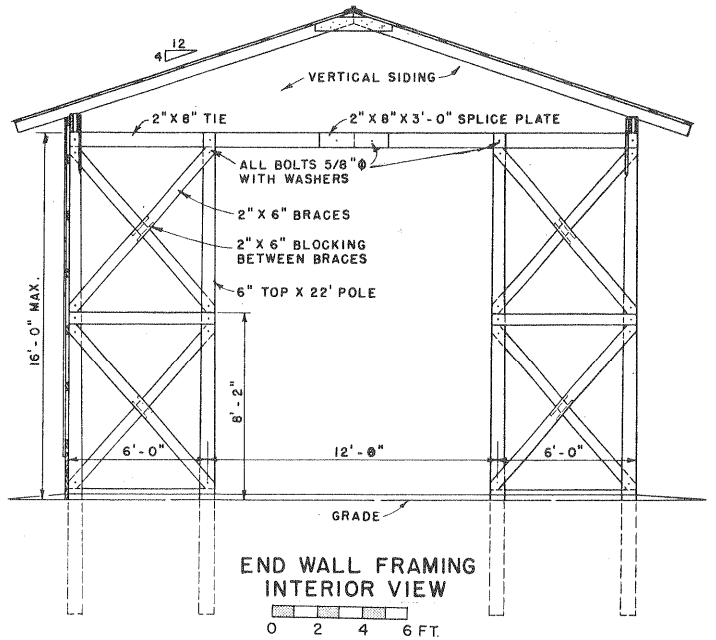


NOTE:  
SET ALL POLES IN 18" DIA. HOLES AND TAMP BACKFILL THOROUGHLY. IN LOOSE OR SANDY SOIL, A CONCRETE FILL MAY BE REQUIRED.

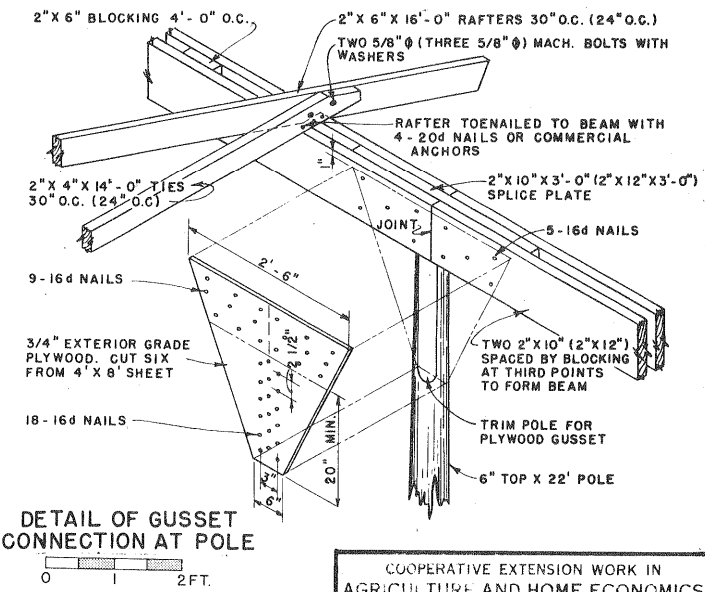
CROSS SECTION  
0 1 2 3 4 FT.



FLOOR AND ROOF FRAMING PLAN  
0 4 8 12 FT.



END WALL FRAMING  
INTERIOR VIEW  
0 2 4 6 FT.



DETAIL OF GUSSET  
CONNECTION AT POLE  
0 1 2 FT.

NOTE:  
ALL POLES AND SPLASH BOARDS TO BE PRESSURE TREATED WITH PRESERVATIVE. THIS BUILDING MAY BE BUILT IN ANY LENGTH DESIRED IN UNITS OF 12'-0". IT IS DESIGNED FOR AREAS OF THE UNITED STATES WHERE THE SNOW LOAD IS 20 LB. (OR 30 LB.) PER SQUARE FOOT OR WIND DOES NOT EXCEED 88 MILES PER HOUR. FRAMING SIZE AND NAILS FOR 30 LB. LOAD SHOWN IN PARENTHESES (---).

COOPERATIVE EXTENSION WORK IN  
AGRICULTURE AND HOME ECONOMICS  
DEPARTMENT OF AGRICULTURAL ENGINEERING  
UNIVERSITY OF MARYLAND  
AND  
UNITED STATES DEPARTMENT OF AGRICULTURE COOPERATING

**HAY SHED**  
24' WIDE-POLE CONSTRUCTION

USDA	'57	5847	SHEET 1 OF 1
------	-----	------	--------------

Note: This archival plan is provided as a study plan only and may not be suitable for construction without modification, and may not be appropriate for all locales. Code officials and other authorities should always be consulted before any construction is attempted.