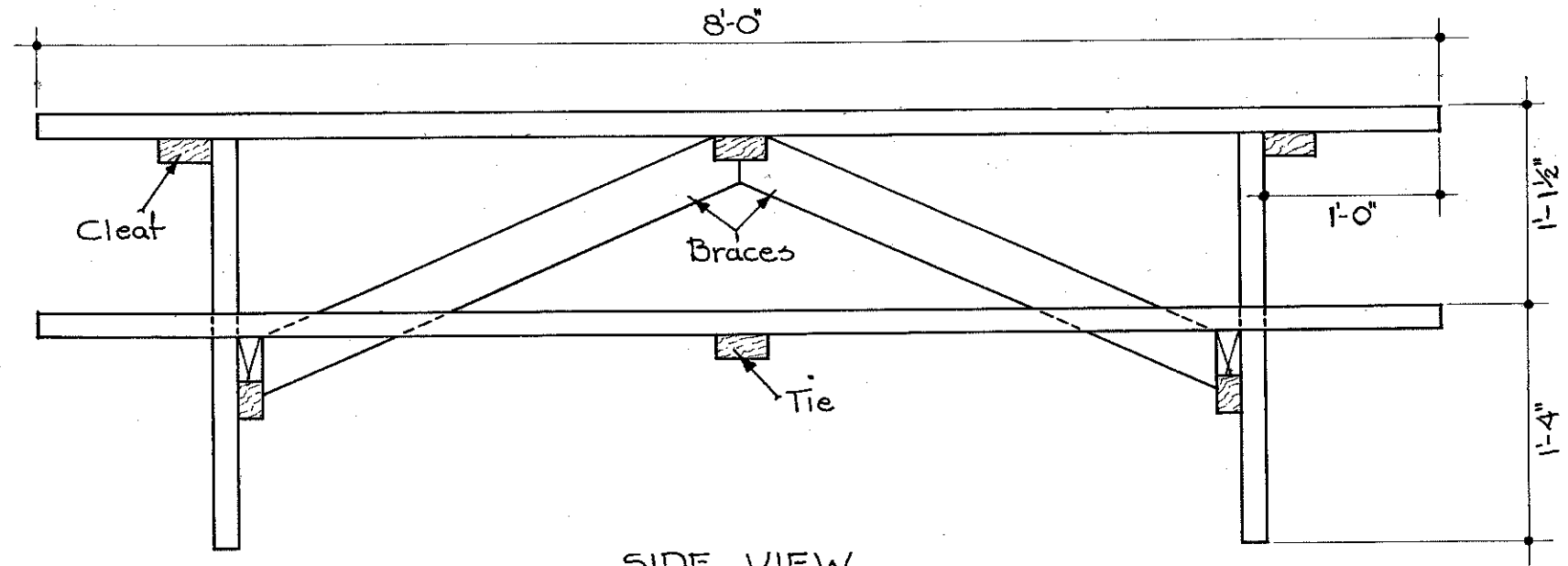
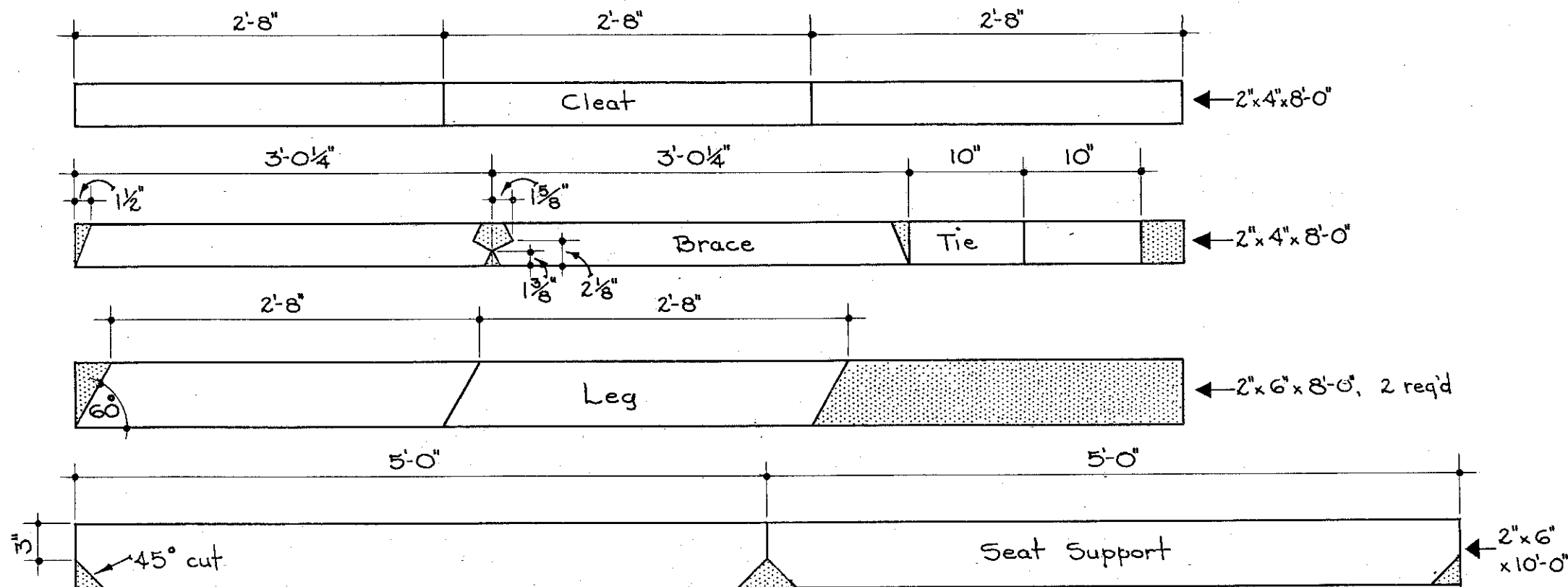


END VIEW



SIDE VIEW



CUTTING DIAGRAMS

• SHOPPING LIST •

- 12 pcs. 2" x 6" x 8'-0"
- 1 pc. 2" x 6" x 10'-0"
- 2 pcs. 2" x 4" x 8'-0"
- 1 gross 2 1/2" x No.14 Flat head cadmium plated screws
- 6 3/8" x 4" cadmium plated lag screws
- 2 quarts exterior grade sealer - finish

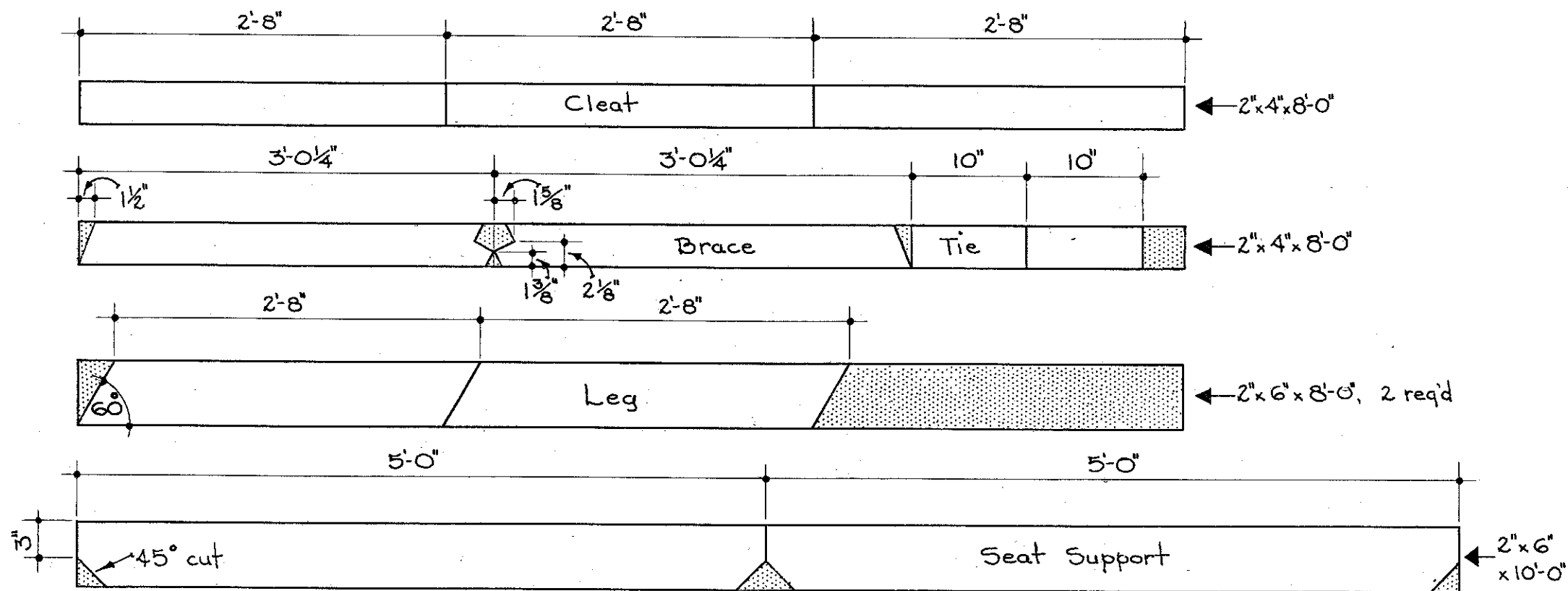
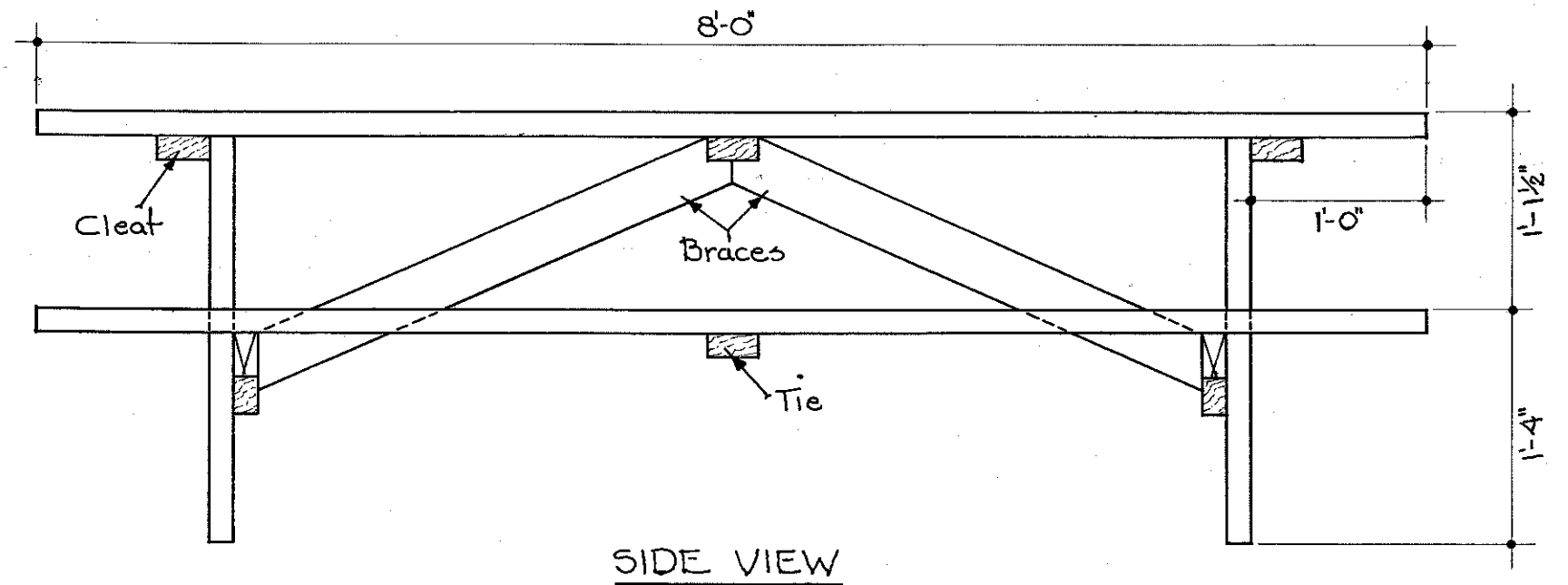
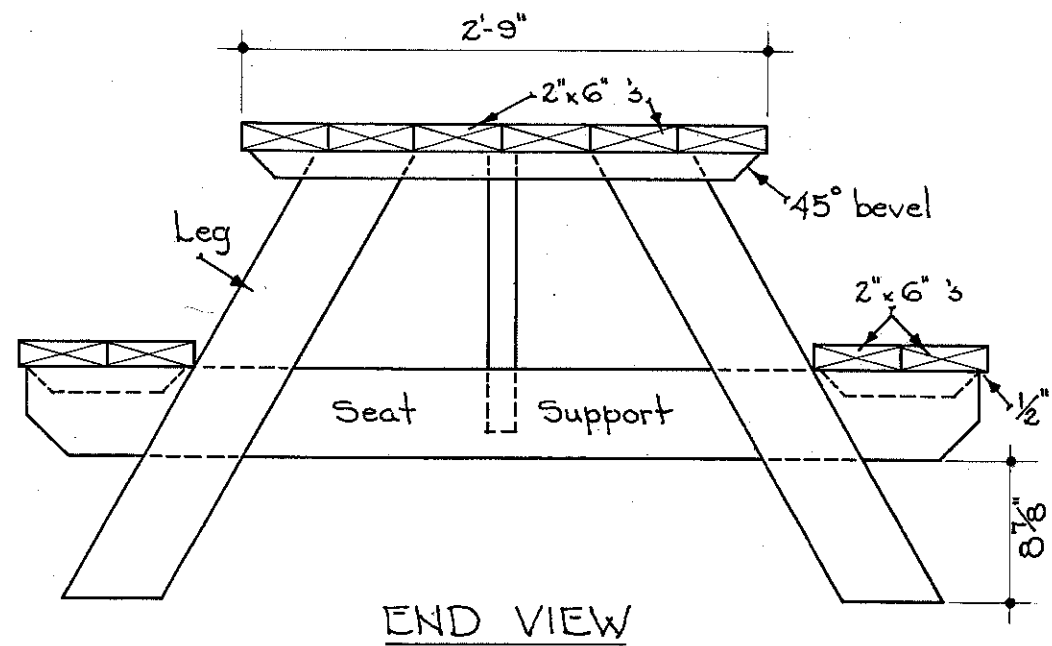
Notes :

1. Secure braces with lag screws - countersink heads.
2. Make all other connections with wood screws.

COOPERATIVE EXTENSION WORK IN  
**AGRICULTURE AND HOME ECONOMICS**  
 AGRICULTURAL ENGINEERING DEPARTMENT  
 UNIVERSITY OF CONNECTICUT  
 STORRS, CONNECTICUT  
 AND  
 U. S. DEPARTMENT OF AGRICULTURE COOPERATING

PICNIC TABLE

DR. BY RBL	CK. BY REP	SHEET 1 OF 1
SCALE • 1" = 1'-0"	DATE 6-18-64	PLAN # 700



**• SHOPPING LIST •**

- 12 pcs. 2" x 6" x 8'-0"
- 1 pc. 2" x 6" x 10'-0"
- 2 pcs. 2" x 4" x 8'-0"
- 1 gross 2 1/2" x No.14 flat head cadmium plated screws
- 6 3/8" x 4" cadmium plated lag screws
- 2 quarts exterior grade sealer - finish

**Notes :**

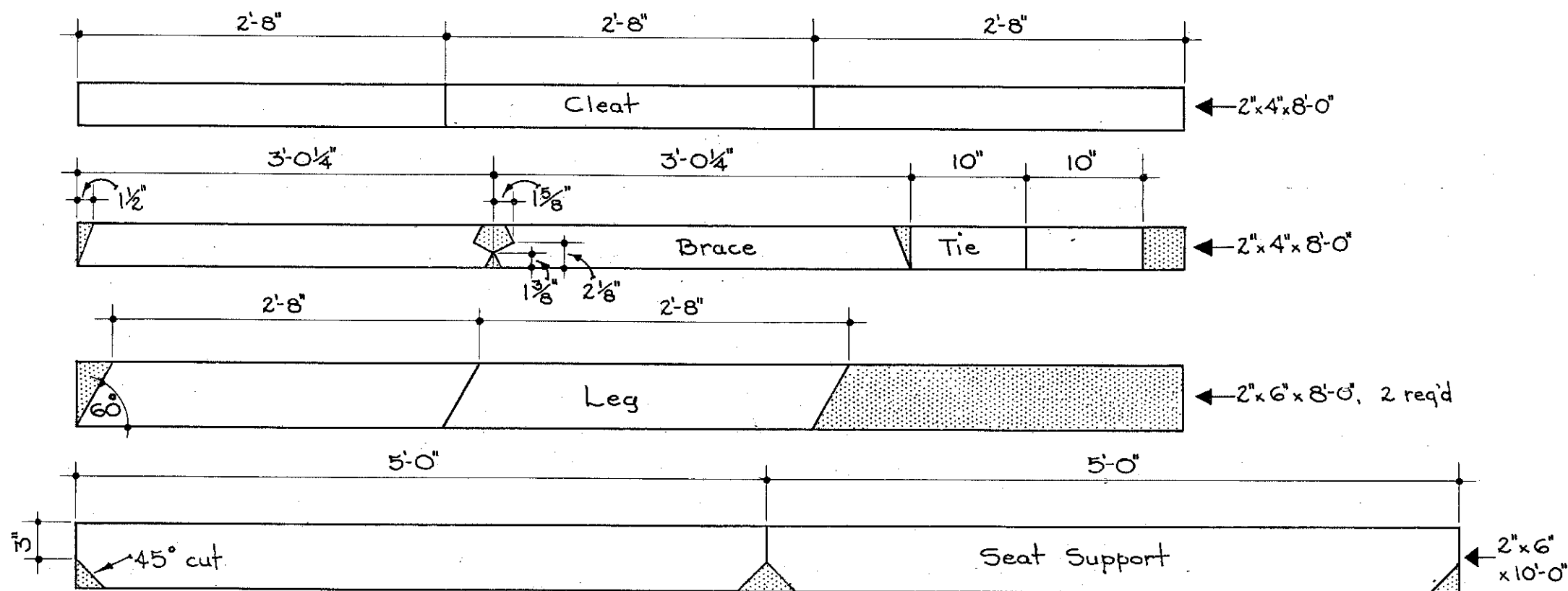
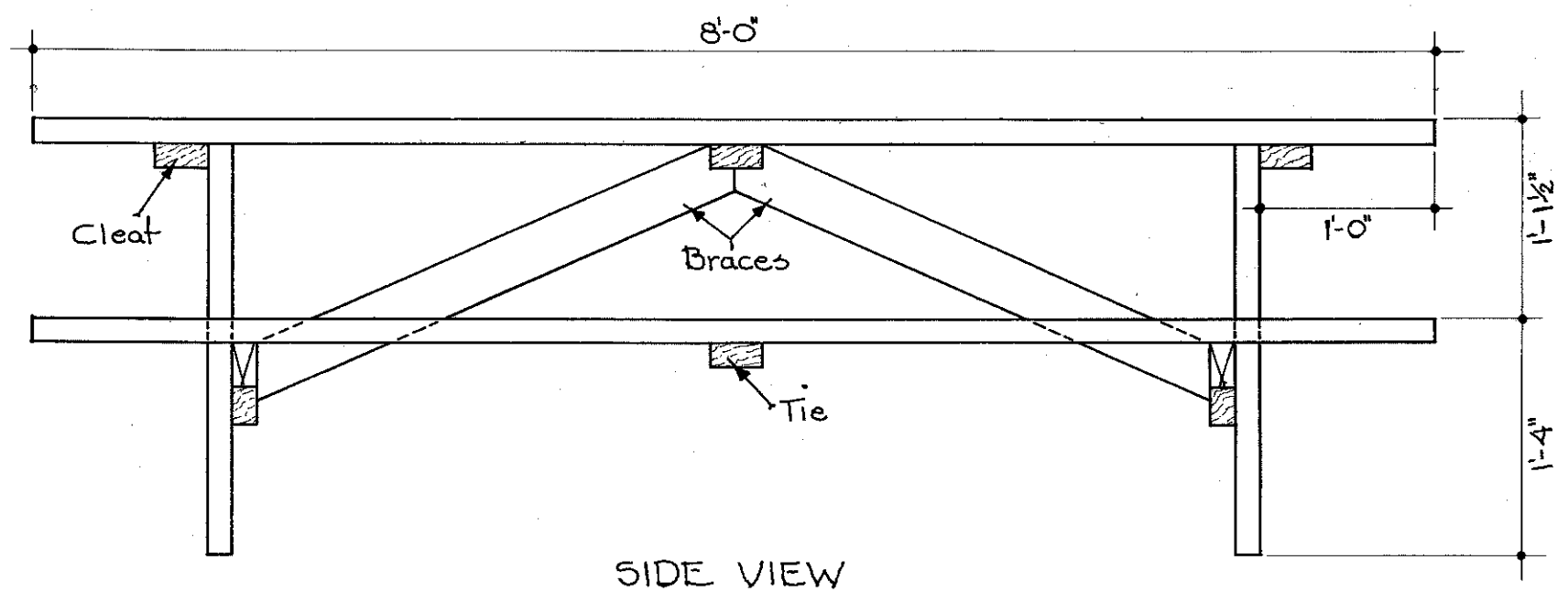
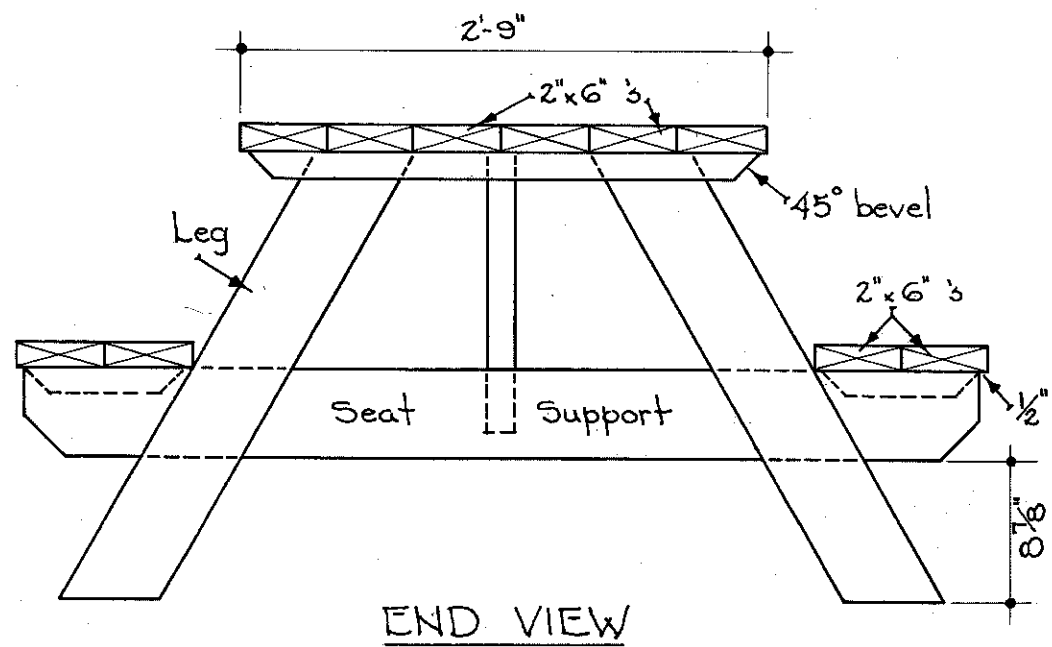
1. Secure braces with lag screws - countersink heads.
2. Make all other connections with wood screws.

COOPERATIVE EXTENSION WORK IN  
**AGRICULTURE AND HOME ECONOMICS**  
 AGRICULTURAL ENGINEERING DEPARTMENT  
 UNIVERSITY OF CONNECTICUT  
 STORRS, CONNECTICUT  
 AND  
 U. S. DEPARTMENT OF AGRICULTURE COOPERATING

**PICNIC TABLE**

DR. BY RBL	CK. BY REP	SHEET 1 OF 1
SCALE - 1" = 1'-0"	DATE 6-18-64	PLAN # 700

**CUTTING DIAGRAMS**



• SHOPPING LIST •

- 12 pcs. 2" x 6" x 8'-0"
- 1 pc. 2" x 6" x 10'-0"
- 2 pcs. 2" x 4" x 8'-0"
- 1 gross 2 1/2" x No. 14 flat head cadmium plated screws
- 6 3/8" x 4" cadmium plated lag screws
- 2 quarts exterior grade sealer - finish

Notes :

1. Secure braces with lag screws - countersink heads.
2. Make all other connections with wood screws.

COOPERATIVE EXTENSION WORK IN  
**AGRICULTURE AND HOME ECONOMICS**  
 AGRICULTURAL ENGINEERING DEPARTMENT  
 UNIVERSITY OF CONNECTICUT  
 STORRS, CONNECTICUT  
 AND  
 U. S. DEPARTMENT OF AGRICULTURE COOPERATING

PICNIC TABLE

DR. BY RBL	CK. BY REP	SHEET 1 OF 1
SCALE - 1" = 1'-0"	DATE 6-18-64	PLAN # 700