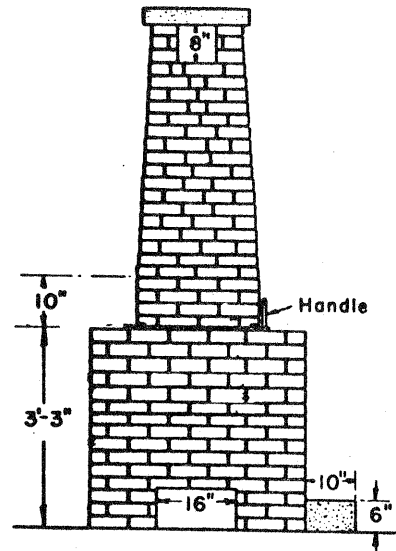
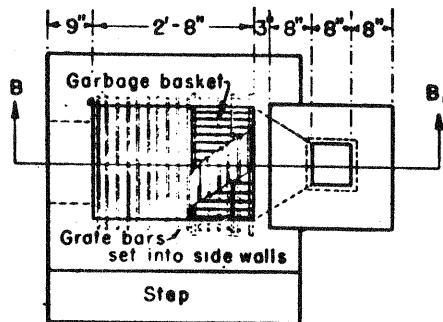


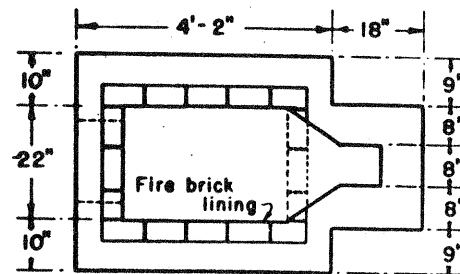
SIDE ELEVATION



FRONT ELEVATION

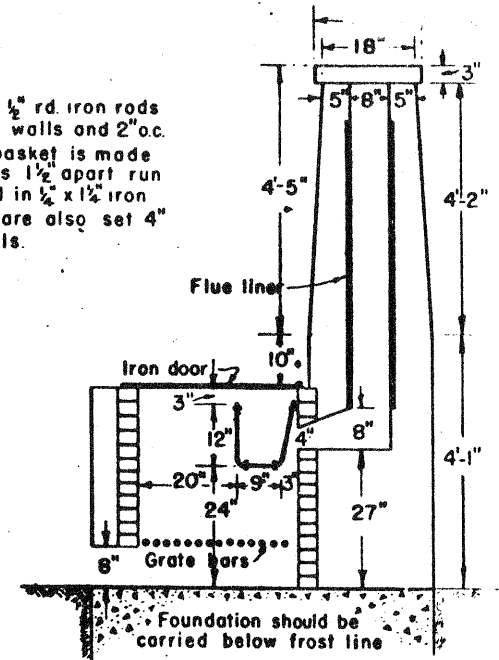


PLAN

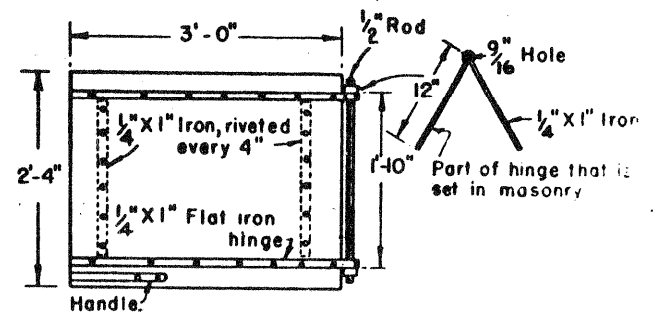


SECTION A1-A1  
Showing chimney throat

Grate bars are  $\frac{1}{2}$ " rd. iron rods set 4" into the side walls and 2" o.c.  
The garbage basket is made of  $\frac{3}{8}$ " rd. iron rods  $1\frac{1}{2}$ " apart run thru holes drilled in  $\frac{1}{4}$ " x  $1\frac{1}{2}$ " iron bars. These bars are also set 4" into the side walls.



SECTION B1-B1



IRON DOOR

COOPERATIVE EXTENSION WORK IN  
AGRICULTURE AND HOME ECONOMICS

AND  
UNITED STATES DEPARTMENT OF AGRICULTURE COOPERATING

INCINERATOR

N.Y. '48 EX. 5198 SHEET 1 OF 1

Note:

This archival plan is provided as a study plan only and may not be suitable for construction without modification, and may not be appropriate for all locales. Code officials and other authorities should always be consulted before any construction is attempted.