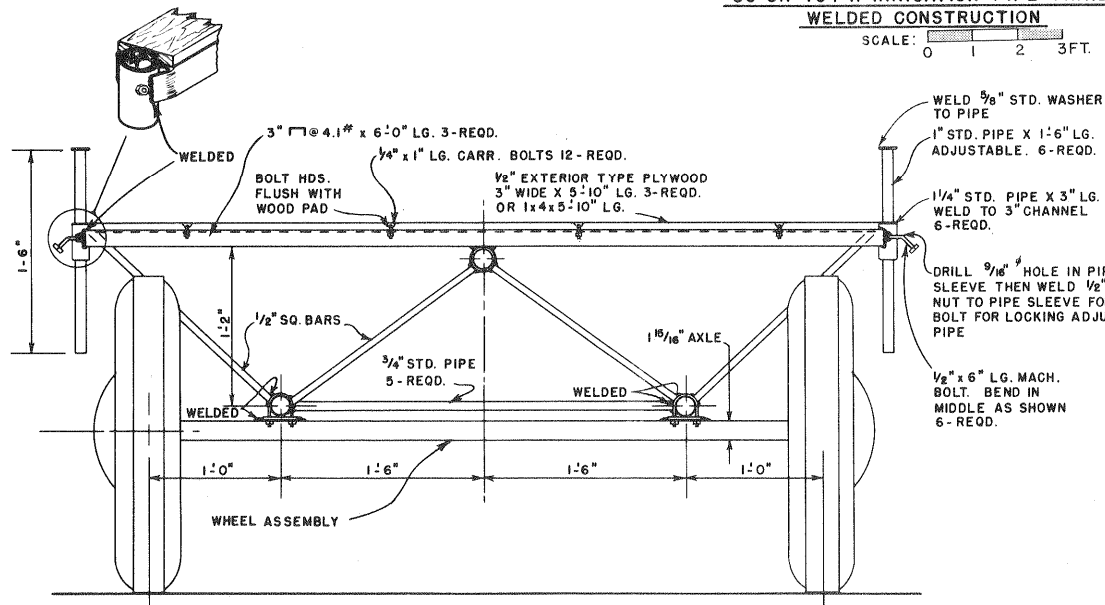
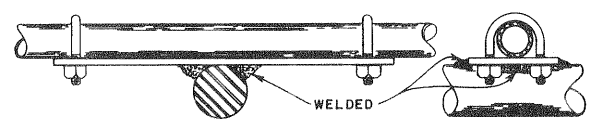
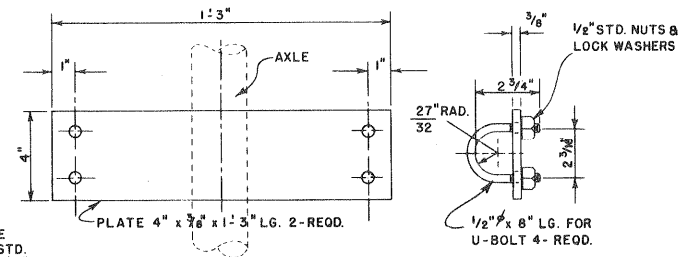


ELEVATION
30 OR 40 FT. IRRIGATION PIPE TRAILER
WELDED CONSTRUCTION
 SCALE: 0 1 2 3 FT.



SECTION A-A
 SCALE 0 1 FT.



AXLE BRACKETS
 SCALE 0 2 4 6 IN.

COOPERATIVE EXTENSION WORK IN
 AGRICULTURE AND HOME ECONOMICS
 DEPARTMENT OF AGRICULTURAL ENGINEERING
 UNIVERSITY OF MARYLAND
 AND
 UNITED STATES DEPARTMENT OF AGRICULTURE COOPERATING

IRRIGATION PIPE TRAILER
 FOR 30 OR 40 FT. ALUM. PIPE

ORE. '62 EX. 5942 SHEET 1 OF 1

Note: This archival plan is provided as a **study plan** only and may not be suitable for construction without modification, and may not be appropriate for all locales. Code officials and other authorities should always be consulted before any construction is attempted.