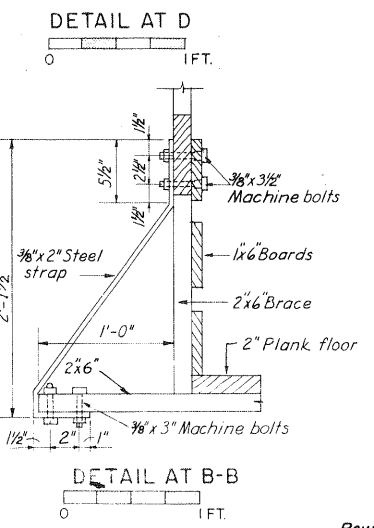
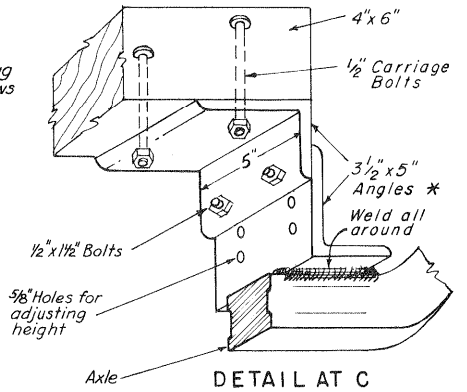
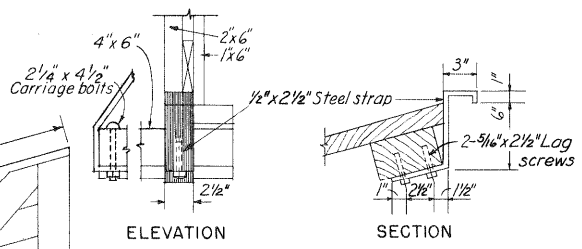
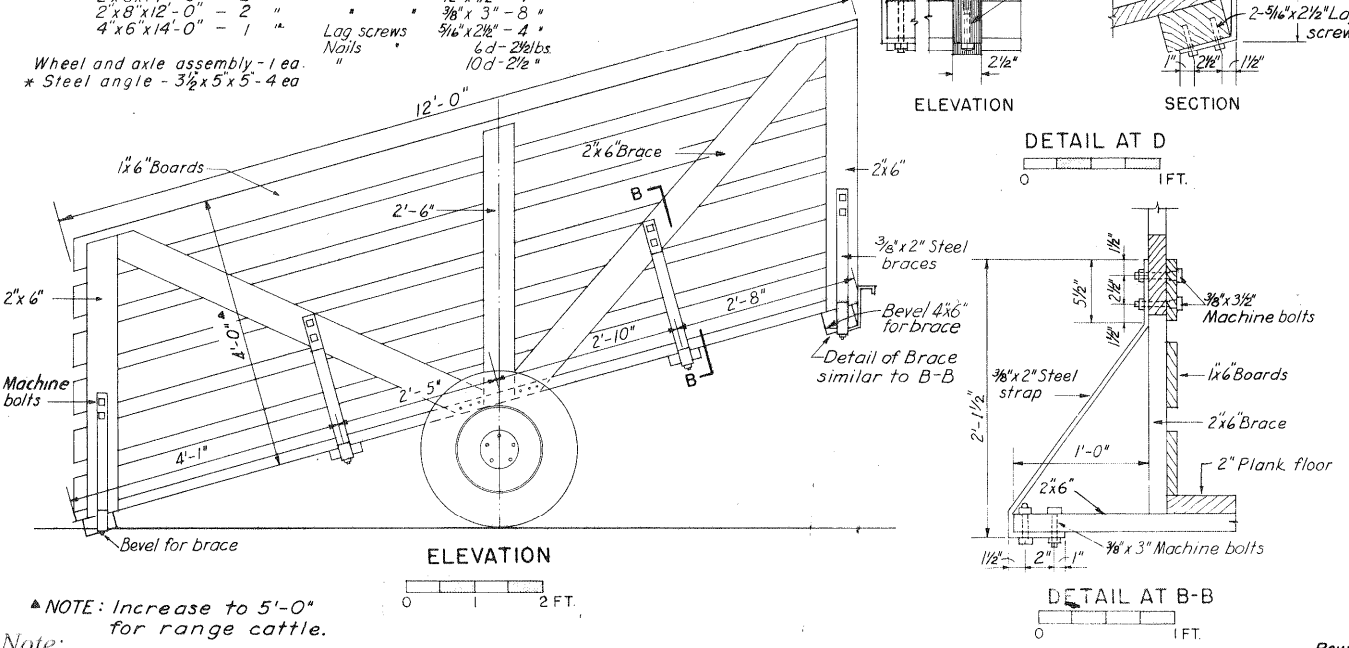


- Lumber**
- 1 x 3 x 8'-0" - 6 pcs.
 - 1 x 6 x 8'-0" - 3 "
 - 1 x 6 x 12'-0" - 12 "
 - 2 x 6 x 10'-0" - 1 "
 - 2 x 6 x 12'-0" - 5 "
 - 2 x 6 x 14'-0" - 2 "
 - 2 x 8 x 12'-0" - 2 "
 - 4 x 6 x 14'-0" - 1 "
- Steel strap** - 3/8" x 2" x 2'-10" - 4 ea.
- 3/8" x 2" x 2'-0" - 4 "
 - 1/2" x 2 1/2" x 1'-4" - 2 "
- Carriage bolts** - 1/2" x 4 1/2" - 12 "
- Machine bolts**
- 3/8" x 3 1/2" - 16 "
 - 1/2" x 1 1/2" - 4 "
 - 3/8" x 3" - 8 "
- Lag screws** 5/16" x 2 1/2" - 4 "
- Nails** 6d - 2 1/2 lbs.
- 10d - 2 1/2 "**
- Wheel and axle assembly - 1 ea.**
- * Steel angle - 3 1/2" x 5" x 5" - 4 ea



* Note: - Size of angles will be governed by type of wheel and axle assembly used.

COOPERATIVE EXTENSION WORK IN AGRICULTURE AND HOME ECONOMICS DEPARTMENT OF AGRICULTURAL ENGINEERING UNIVERSITY OF MARYLAND AND UNITED STATES DEPARTMENT OF AGRICULTURE COOPERATING		
MOVABLE CHUTE FOR LOADING CATTLE		
USDA '48	EX. 5681	SHEET 1 OF 1

▲ NOTE: Increase to 5'-0" for range cattle.

This archival plan is provided as a **study plan** only and may not be suitable for construction without modification, and may not be appropriate for all locales. Code officials and other authorities should always be consulted before any construction is attempted.