

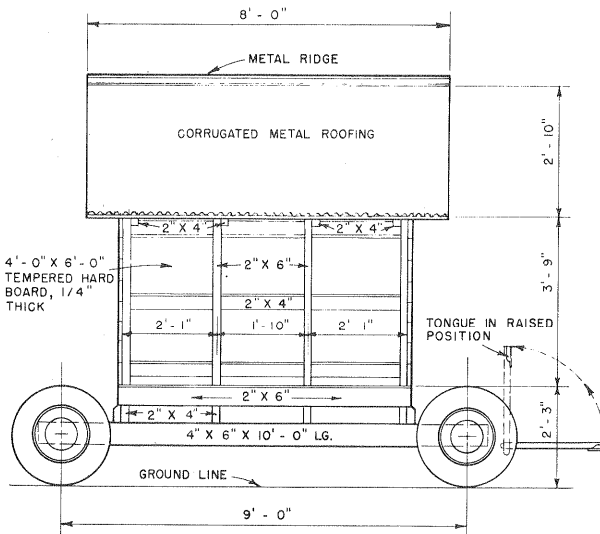
BILL OF MATERIALS

LUMBER

- 3 - 4" X 6" X 10'-0" SILLS
- 6 - 2" X 4" X 6'-0" JOISTS
- 4 - 2" X 4" X 6'-0" TROUGH JOISTS (FLAT)
- 2 - 2" X 6" X 6'-2" TROUGH SIDES
- 8 - 2" X 4" X 2'-0" HOPPER FLOOR BRACES
- 1 - 1" X 6" X 6'-0" HOPPER RIDGE
- 17 - 1" X 6" X 6'-0" T & G SHEATHING
- 8 - 2" X 6" X 6'-0" STUDS
- 4 - 2" X 4" X 8'-0" SLANTING BRACES
- 6 - 2" X 4" X 6'-0" BIN GIRTS
- 2 - 2" X 4" X 6'-0" CROSS TIES
- 8 - 2" X 4" X 6'-0" RAFTERS
- 8 - 1" X 6" X 6'-0" ROOF NAILING STRIPS
- 2 - 1" X 4" X 8'-0" VERGE BOARD
- 2 - 1" X 4" X 8'-0" DOOR FRAMING
- 2 - 1" X 6" X 2'-0" COLLAR TIES
- 90 FT. B.M. 1" X 6" SHIPLAP SIDING

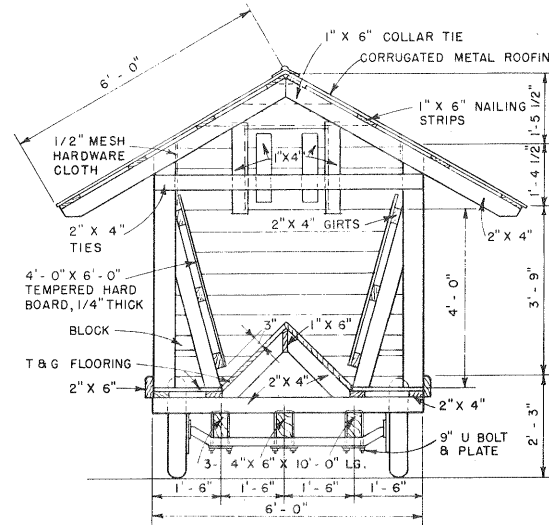
MISCELLANEOUS

- 4 LBS 8d COMMON NAILS
- 3 LBS 10d COMMON NAILS
- 1 LB 16d COMMON NAILS
- 2 PAIR 6" TEE HINGES
- 2 SHEETS 4'-0" X 6'-0" TEMPERED HARD BOARD, 1/4" THICK
- 8 SHEETS 26" WIDE X 6'-0" METAL ROOFING
- 1 METAL RIDGE 8'-0" LONG
- 7 L.F. 1/2" MESH HARDWARE CLOTH, 36" WIDE



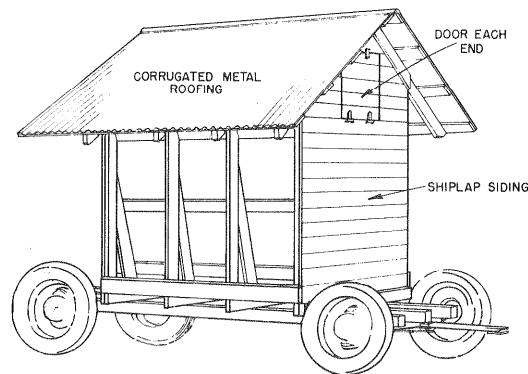
ELEVATION

SCALE: 0 1 2 3 FT.

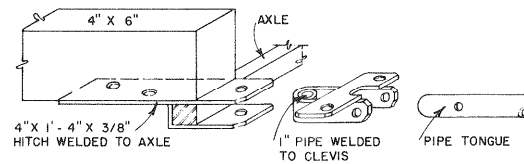


CROSS SECTION

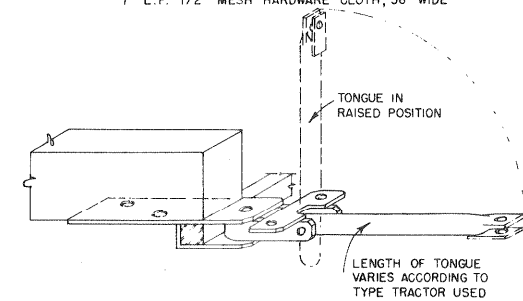
SCALE: 0 1 2 3 FT.



PERSPECTIVE



ISOMETRIC VIEW SHOWING PARTS FOR HITCH
(SIZES VARY ACCORDING TO TYPE OF AXLE USED)



ASSEMBLED VIEW
OF HITCH

HITCH DETAILS

SCALE: 0 1 FT.

NOTES

1. 600 X 16 WHEEL AND AXLE ASSEMBLY INDICATED. OTHER ASSEMBLIES MAY BE SUBSTITUTED WITH NECESSARY MODIFICATION PROVIDED FEED TROUGH HEIGHT AS SHOWN IS MAINTAINED.
2. CAPACITY: APPROXIMATELY 80 BU. GROUND FEED.

COOPERATIVE EXTENSION WORK IN
AGRICULTURE AND HOME ECONOMICS
DEPARTMENT OF AGRICULTURAL ENGINEERING
UNIVERSITY OF MARYLAND
AND
UNITED STATES DEPARTMENT OF AGRICULTURE COOPERATING

MOVABLE SELF FEEDER FOR CATTLE

USDA '53	EX. 5776	SHEET 1 OF 1
----------	----------	--------------

Note:

This archival plan is provided as a **study plan** only and may not be suitable for construction without modification, and may not be appropriate for all locales. Code officials and other authorities should always be consulted before any construction is attempted.