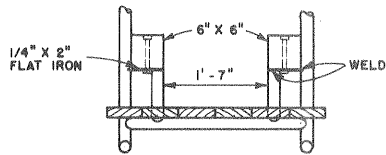


NOTE:

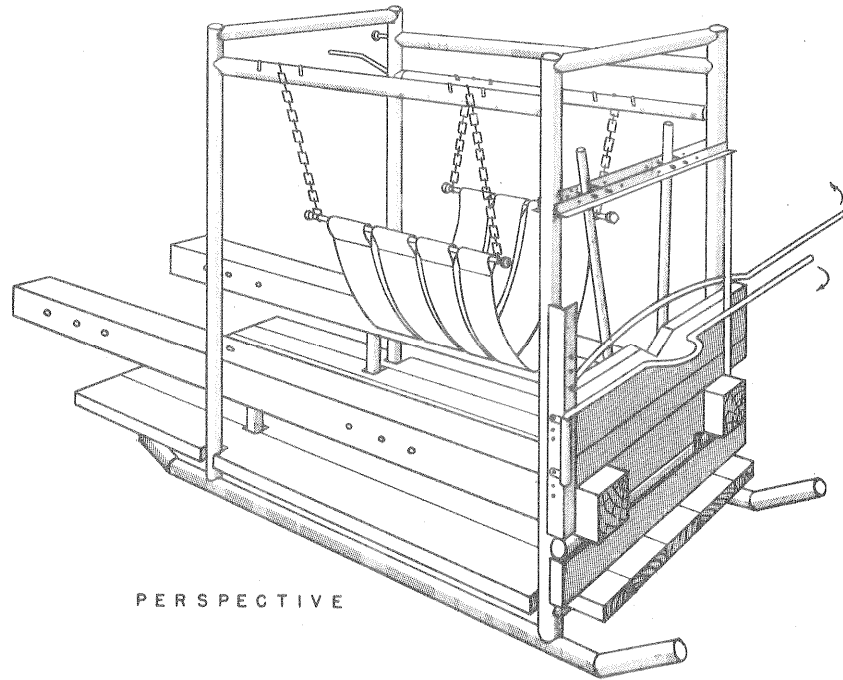
THE WELDED PIPE AND ANGLE IRON CONSTRUCTION MAKE THIS PIECE OF EQUIPMENT ADEQUATELY STRONG FOR HANDLING MOST FARM ANIMALS.

FOR LARGE ANIMALS SUCH AS 2,000 POUND BULLS INCREASE THE WIDTH OF FRAME TO 3'-6" AND THE HEIGHT TO 7'-0". USE 3" X 4" PIPE FOR FRAME WORK.

THE OAK FLOOR CAN BE REMOVED TO MAKE LOADING EASIER WHEN THE EQUIPMENT IS TRANSPORTED BY TRUCK.



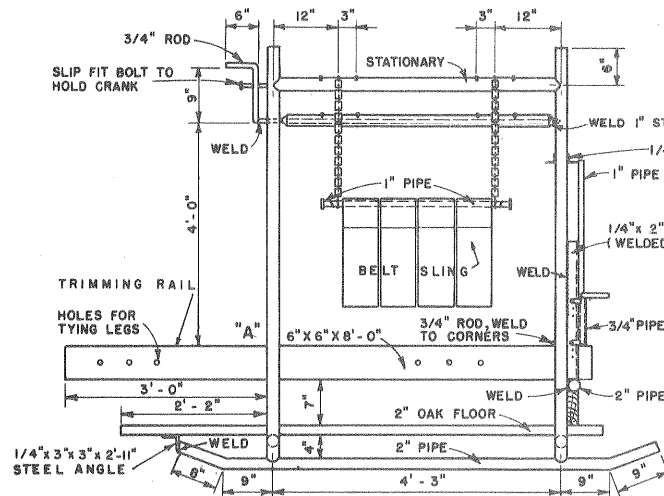
REAR SECTION AT "A"



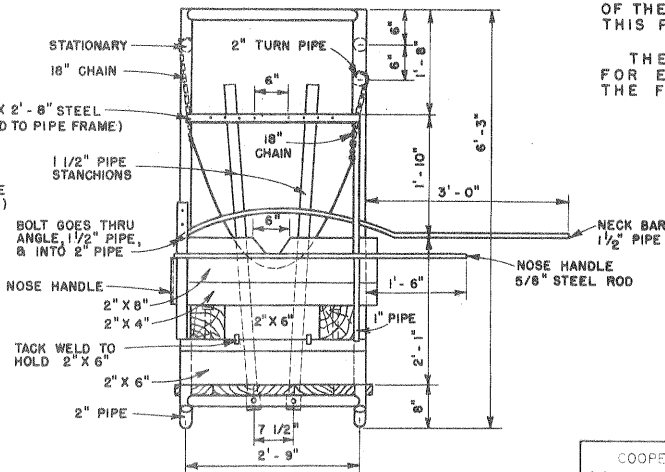
PERSPECTIVE

USE OF CATTLE STOCK

- 1 PLACE ANIMAL IN STOCK AND CLOSE STANCHION.
- 2 LOCK THE NOSE HANDLE AND NECK BAR.
- 3 PULL BELT SLING UNDER ANIMAL AND USE CRANK TO TAKE SOME WEIGHT OFF ANIMAL'S FEET. DO NOT RAISE ANIMAL'S FEET FROM FLOOR.
- 4 USING AN 8 FOOT LENGTH OF 1/2" ROPE, PLACE A LOOP AROUND THE PASTER JOINT (BETWEEN ANKLE AND HOOF) OF ONE FOOT WITH ROPE EXTENDED TOWARD FRONT.
- 5 PULL FOOT BACK AND UP UNTIL IT RESTS INVERTED ON TRIMMING RAIL.
- 6 PULL ROPE THRU NEAREST HOLE, MAKE SEVERAL LOOPS AROUND RAIL AND PASTER FOOT IS NOW SECURED, SOLE UP, READY TO TRIM.
- 7 WHEN TRIMMING REAR FEET OF STRUGGLING ANIMAL PLACE A LONG ROPE AROUND INSIDE OF LEG BEING WORKED, BRING BOTH ENDS OVER BACK AND PULL FORWARD. THIS TENSION WILL PREVENT STRUGGLING.



SIDE ELEVATION



FRONT

SOME OPERATORS PREFER TO USE ONLY TWO CANVAS BELTS FOR THE SLING INSTEAD OF THE FOUR AS SHOWN ON THIS PLAN.

THE PIPE SKIDS MAKE FOR EASY MOVING ABOUT THE FARM.

CATTLE STOCKS ARE IMPORTANT EQUIPMENT ON FARMS AND RANGES WHERE VALUABLE BREEDING STOCK IS HANDLED. THE USE OF SUCH EQUIPMENT IN TRIMMING HOOF AND HORNS OR IN VACCINATING

OR TREATING CATTLE REDUCES THE CHANCES OF INJURY AND REQUIRES FEWER LABORERS IN PERFORMING SUCH OPERATIONS.

Note:

This archival plan is provided as a **study plan** only and may not be suitable for construction without modification, and may not be appropriate for all locales. Code officials and other authorities should always be consulted before any construction is attempted.

COOPERATIVE EXTENSION WORK IN AGRICULTURE AND HOME ECONOMICS
 DEPARTMENT OF AGRICULTURAL ENGINEERING
 UNIVERSITY OF MARYLAND
 AND
 UNITED STATES DEPARTMENT OF AGRICULTURE COOPERATING

PORTABLE CATTLE STOCK

U.S.D.A.	EX 5792	SHEET 1 OF 1
----------	---------	--------------