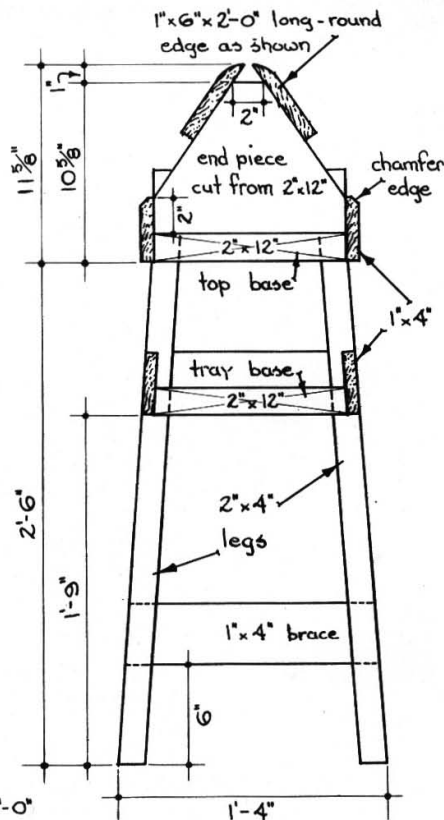


**SECTION B-B**

scale = 1 1/2" = 1'-0"

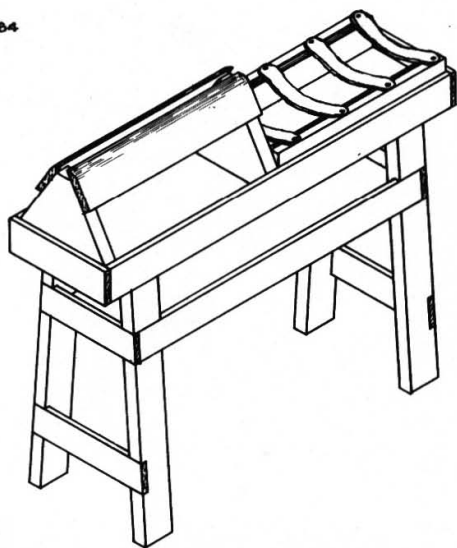


**SECTION A-A**    scale = 1 1/2" = 1'-0"

# SADDLE TREE

## Materials

saddle support	1" x 6" x 4'-0"
tray sides & braces	1" x 4" x 12'-0"
top braces	1" x 4" x 10'-0"
legs	2" x 4" x 12'-0"
strap support	2" x 4" x 4'-0"
tray base	2" x 12" x 4'-0"
top base	2" x 12" x 4'-0"
end pieces	2" x 12" x 2'-0"
2" leather strap	5'-0" length



64-40  
OCT. 1964

Prepared by the Agricultural Engineering Department

COOPERATIVE EXTENSION SERVICE  
College of Agriculture and Natural Resources  
The University of Connecticut, Storrs

Connecticut Cooperative Extension Service,  
E. J. Kersting, Director, Storrs, Conn. Issued  
in furtherance of the Acts of Congress of May  
8 and June 30, 1914.