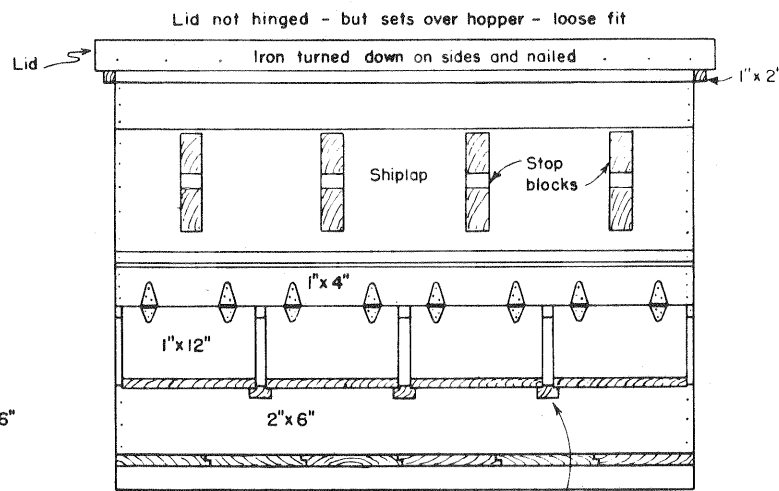


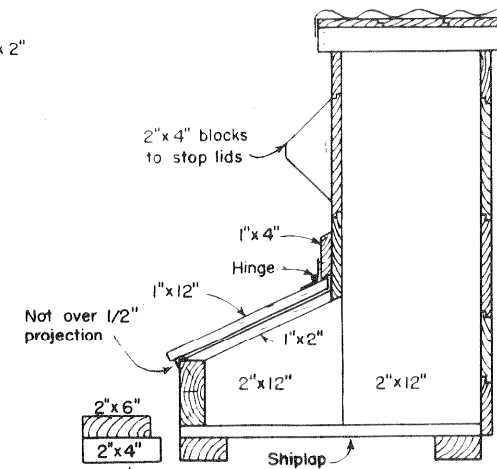
SECTION

Nail floor to 1"x2" and 2"x6", then nail 2"x4" sills to the floor to permit easy removal of sills.

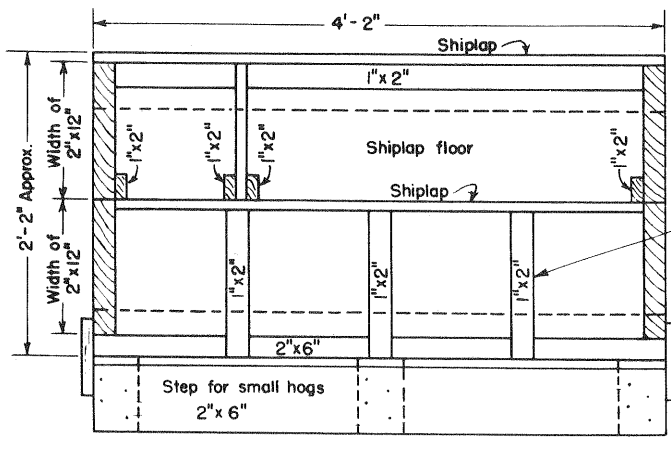
Treat sills with preservative



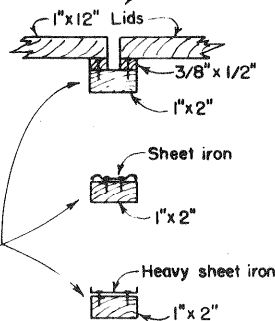
FRONT VIEW



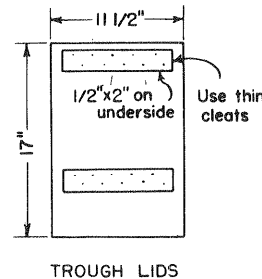
END VIEW



FLOOR PLAN



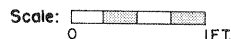
Three ways of rainproofing trough divider strips. Sections of 1"x2"s shown.



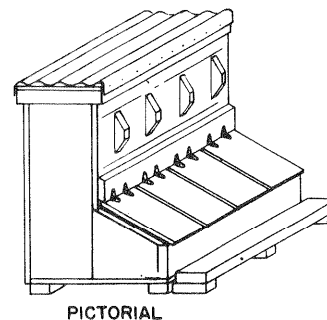
TROUGH LIDS

BILL OF MATERIAL

- (Fir lumber is easier to work than hard pine.)
- 1- 2"x4"x10'
 - 1- 2"x12"x8'
 - 1- 2"x6"x9'
 - 1- 1"x12"x14'
 - 3- 1"x2"x12'
 - 1- 1"x4"x4 1/2'
 - 1- 1/2"x2"x8'
 - 1- 3/8"x1/2"x10'
- 45 board feet shiplap (to cut 4'-2" and 2'-2")
 1 piece sheet iron 2'x4'-9"
 4 prs. - 4" strap-hinges (heavy)
 Paint, 1/4 gal.
 Nails, 16d, 8d, 6d, 4d, 3d



NOTE:
Place feeders back to back for double feeder.



PICTORIAL

COOPERATIVE EXTENSION WORK IN
 AGRICULTURE AND HOME ECONOMICS
 DEPARTMENT OF AGRICULTURAL ENGINEERING
 Univ. of Connecticut
 UNITED STATES DEPARTMENT OF AGRICULTURE COOPERATING

SELF-FEEDER FOR HOGS

TEX.	EX. 5756	SHEET 1 OF 1
------	----------	--------------

Note:

This archival plan is provided as a **study plan** only and may not be suitable for construction without modification, and may not be appropriate for all locales. Code officials and other authorities should always be consulted before any construction is attempted.