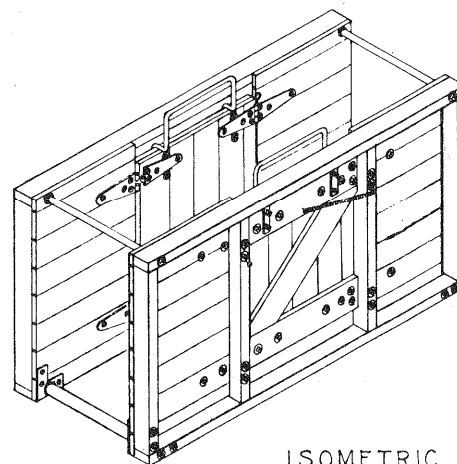
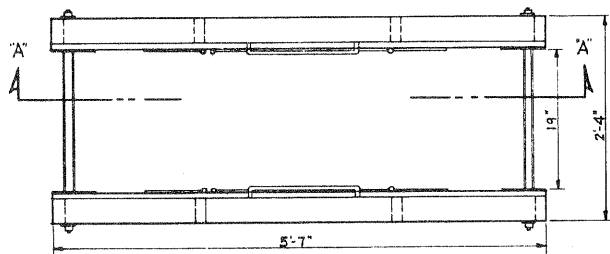


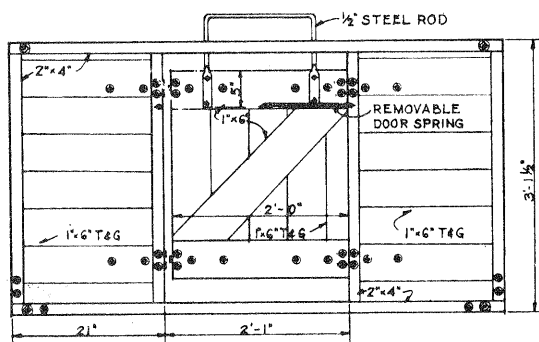
SECTION 'A-A'



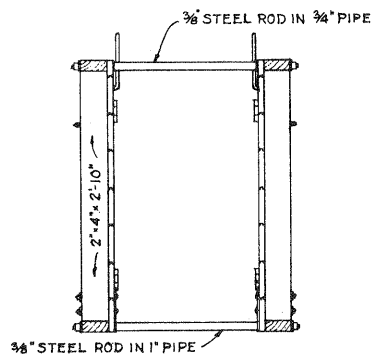
ISOMETRIC
SCALE: 0 1 2 FT.



PLAN



SIDE ELEVATION



END ELEVATION

NOTE:
FOR BOTH DOORS-
DOOR SPRING AND HINGE PIN ROD CAN
BE MOVED TO OTHER EDGE OF DOOR
TO REVERSE DIRECTION OF DOOR OPENING.

SCALE: 1"=1'-0" EXCEPT WHERE OTHERWISE
NOTED.

COOPERATIVE EXTENSION WORK IN AGRICULTURE AND HOME ECONOMICS DEPARTMENT OF AGRICULTURAL ENGINEERING UNIVERSITY OF MARYLAND AND UNITED STATES DEPARTMENT OF AGRICULTURE COOPERATING		
THREE-WAY CUTTING GATES FOR SHEEP		
MONT. '58	EX. 5859	SHEET 1 OF 1

Note:

This archival plan is provided as a **study plan** only and may not be suitable for construction without modification, and may not be appropriate for all locales. Code officials and other authorities should always be consulted before any construction is attempted.