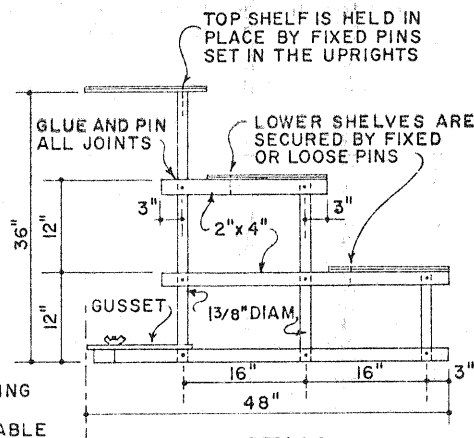


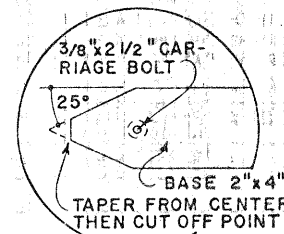
TOP VIEW
SHELVES CUT AWAY

TYPE I

CARE IN LAYING OUT, CUTTING AND ASSEMBLY WILL MAKE THE FRAMES INTERCHANGEABLE



SECTION
AT FRAME

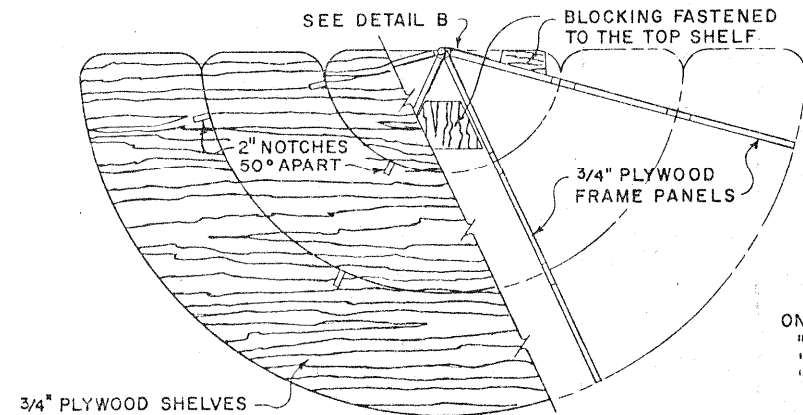


DETAIL A

MATERIALS

ITEM	SIZE	NO.
PLYWOOD	1/2"x4'-0"x8'-0"	ONE
WOOD	2"x4"x4'-0"	FOUR
"	2"x4"x5'-0"	FOUR
"	1"x8"x8'-0"	ONE
"	3/8"D.x6'-0"	FOUR

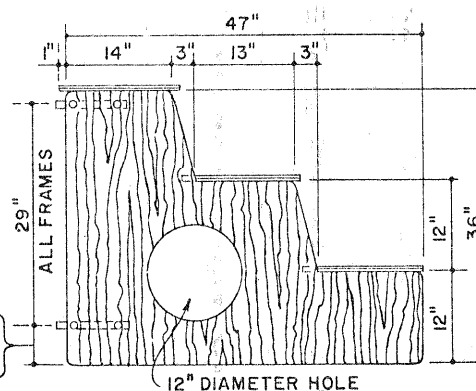
(FASTENINGS NOT INCLUDED)



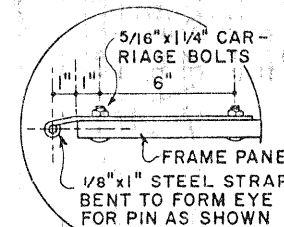
TOP VIEW
SHELVES CUT AWAY

TYPE II

- ONE FRAME 5 1/2"
- " " 4 3/8"
- " " 3 1/4"
- " " 2 1/8"



SECTION
AT FRAME PANEL



DETAIL B

MATERIALS

ITEM	SIZE	NO.
PLYW'D	3/4"x4'-0"x8'-0"	TWO
	OR	
PLYW'D	3/4"x4'-0"x8'-0"	ONE
"	1/2"x4'-0"x8'-0"	ONE
WOOD	1"x8"x10'-0"	ONE

(FASTENINGS NOT INCLUDED)

USE EXTERIOR GRADE PLYWOOD

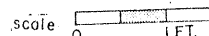
SAND ALL EDGES AND SEAL WITH A WATERPROOF PENETRATING SEALER. WATERPROOF GLUE IS REQUIRED

HEIGHT OF TYPE I MAY BE AS DESIRED, BUT HEIGHT OF TYPE II IS PLANNED TO PERMIT CUTTING THE FOUR FRAME PANELS FROM ONE SHEET OF PLYWOOD

SHELVES FOR TYPE II MAY BE OF 1/2" PLYWOOD IF 1"x8" STIFFENERS ARE FASTENED UNDER THE BOTTOM SHELF, AS SHOWN FOR TYPE I

Note:

This archival plan is provided as a study plan only and may not be suitable for construction without modification, and may not be appropriate for all locales. Code officials and other authorities should always be consulted before any construction is attempted.



COOPERATIVE EXTENSION WORK IN AGRICULTURE AND HOME ECONOMICS
DEPARTMENT OF AGRICULTURAL ENGINEERING
UNIVERSITY OF MARYLAND
AND
UNITED STATES DEPARTMENT OF AGRICULTURE COOPERATING

TWO DISPLAY STANDS
FOR PRODUCE

USDA '64 EX 5982 SHEET 1 OF 1