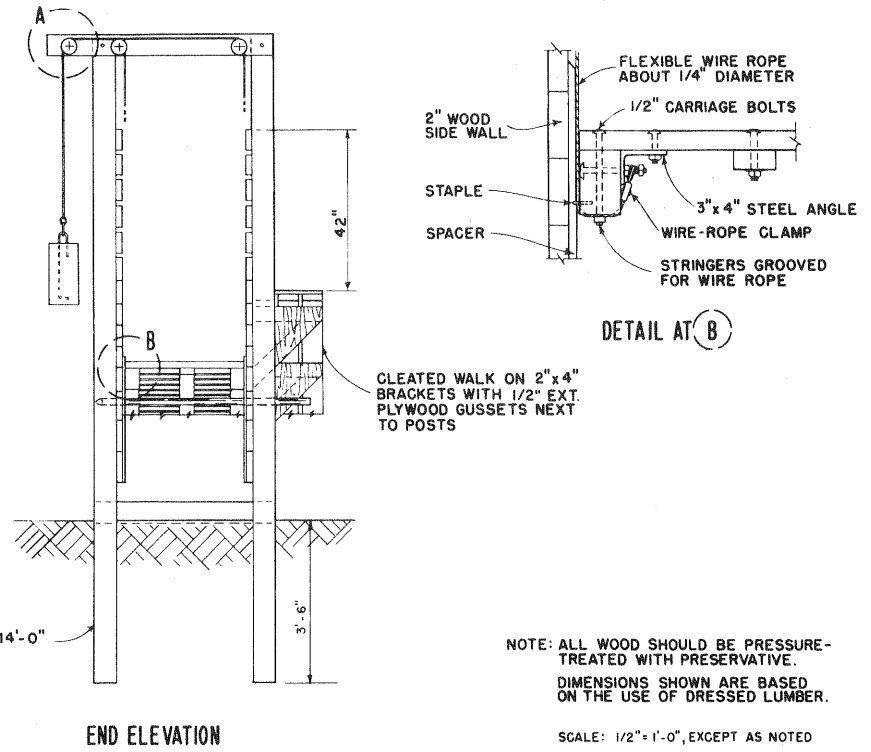
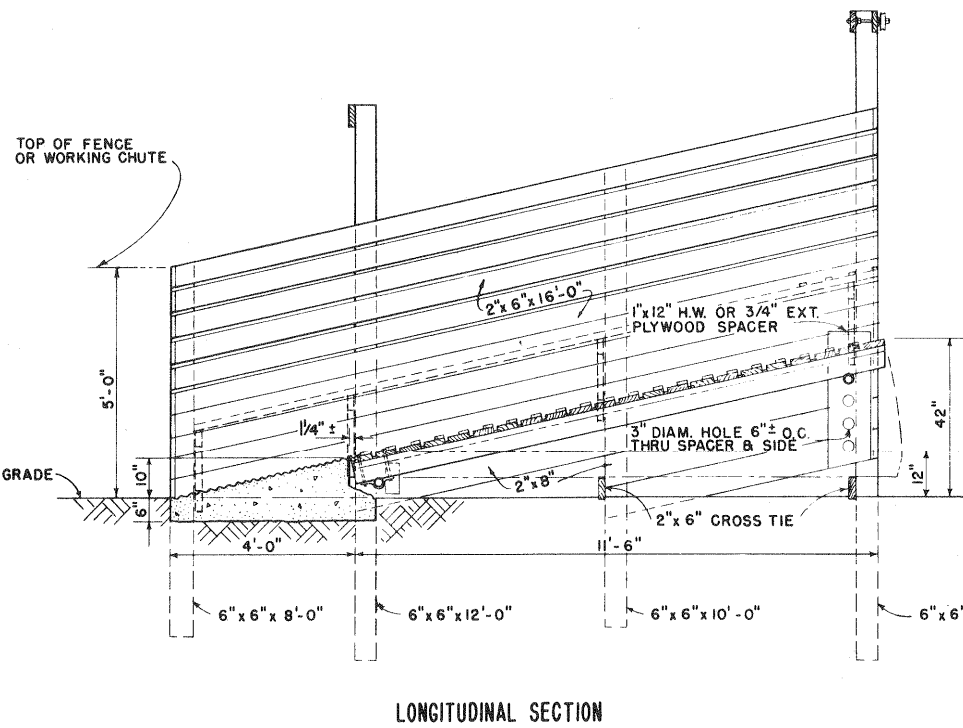
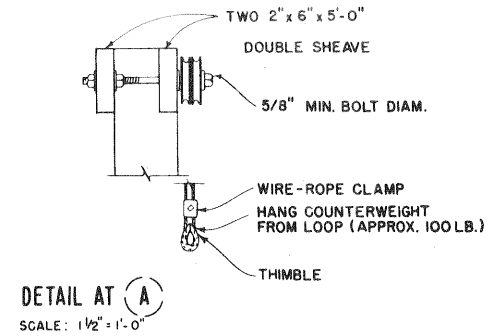
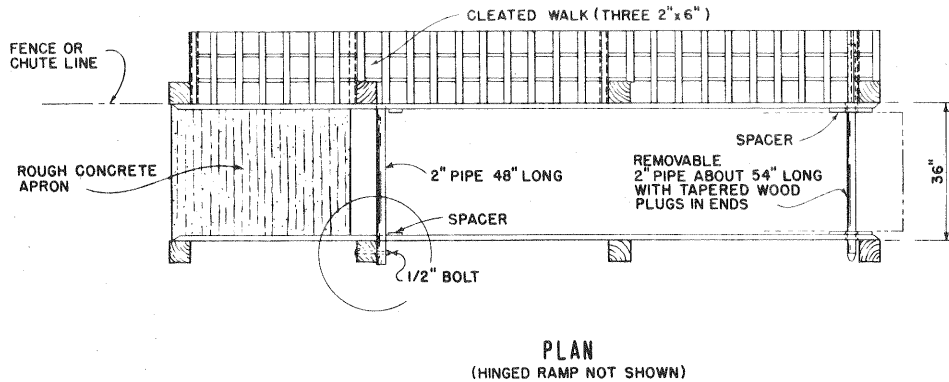
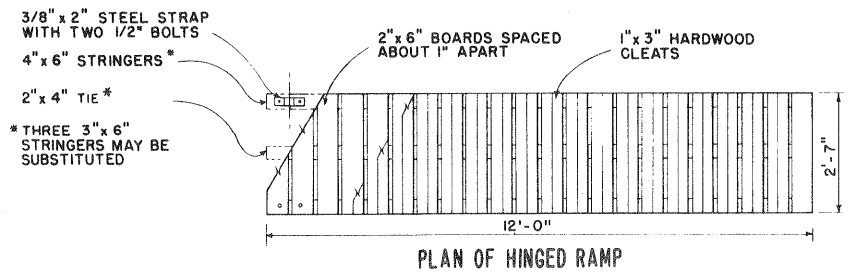


This archival plan is provided as a **study plan** only and may not be suitable for construction without modification. For all locales. Code officials and other authorities should always be consulted before any construction is attempted.



NOTE: ALL WOOD SHOULD BE PRESSURE-TREATED WITH PRESERVATIVE.
DIMENSIONS SHOWN ARE BASED ON THE USE OF DRESSED LUMBER.

SCALE: 1/2" = 1'-0", EXCEPT AS NOTED



COOPERATIVE EXTENSION WORK IN AGRICULTURE AND HOME ECONOMICS		
AND UNITED STATES DEPARTMENT OF AGRICULTURE COOPERATING		
VARIABLE-HEIGHT LOADING CHUTE FOR CATTLE		
USDA '57	EX. 5852	SHEET 1 OF 1